

B EXPO100MWW



100W high CRI warm white expo light

The B Expo100M is a small high power warm LED fresnel light specially designed for high demanding customers. It delivers a very powerful and high-quality wash light. The specific feature set and nice design make it the ideal tool for high power applications in exhibitions, museums, shops, and everywhere else where small high power quality light is required. ■

Main features

- Safety eye
- Silent mode
- OLED display
- Manual zoom
- 16-bit dimming
- One hand locking
- Adaptable frequency range
- Holds dim value when powercut
- Colour matched with B Expo200/350

Accessories

- Powercable with bare ends
- Safety chain
- DMX cable
- Optional 4-leaf barn door
- Optional white cover kit

Certifications

- TÜV Rheinland
- CE & US pending

Optical

Lamp type	LED fresnel
Beam angle	21° - 85°
Colours	3.000K
Refresh rate	Adaptable 600 - 4.000Hz
Strobe	0-20Hz
CRI	97,4 Ra
TM30	Rf = 95 Rg = 101

Physical

Dimensions (WxHxD)	298 x 327,6 x 271,1 mm 11.7 x 12.9 x 10.7 in
Packing dimensions (WxHxD)	300 x 380 x 340 mm 11.8 x 15.0 x 13.4 in
Net weight	4,28 kg 9.4 lbs
Gross weight	5,08 kg 11.2 lbs
Cooling	Heat pipe + air cooling

Mounting

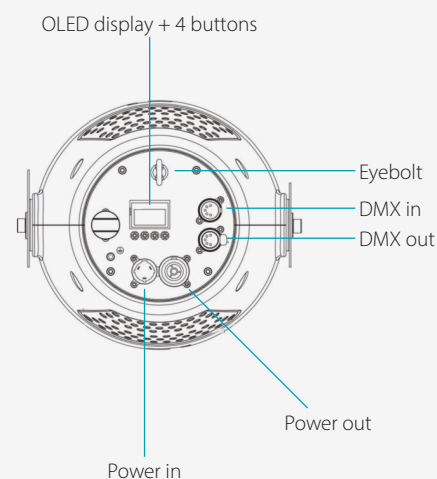
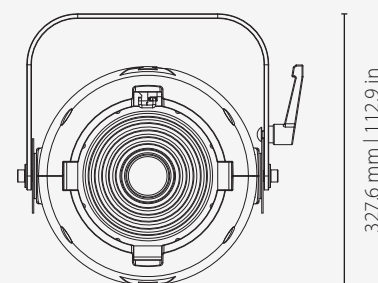
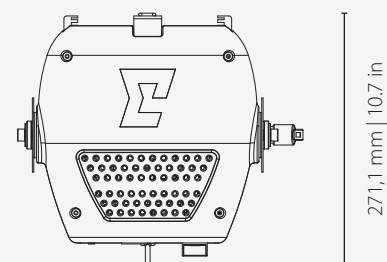
Hanging	3x M12 hole
2nd suspension/safety wire	1x eye in back of the unit to pass carabiner

Control

Menu	OLED display with 4 buttons
Control	DMX/RDM, manual
DMX mode	1/4/5 channels
Dimmer mode	16-bit dimming
In/Link	XLR 5-Pin
Zoom	Manual
Movement	One hand tilt locking

Electrical

Fixture rated power	100W
LED engine	100W warm white LED engine
Input power	240V ~ 50Hz Auto switching power supply
In/Link	powerCON TRUE1 max link current: 10A
IP rating	IP20



Photometric data

