

## SPEC SHEET

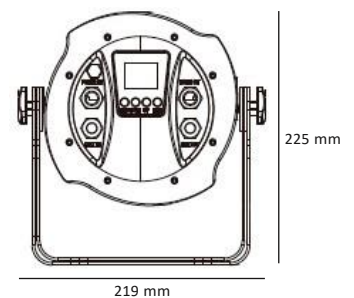
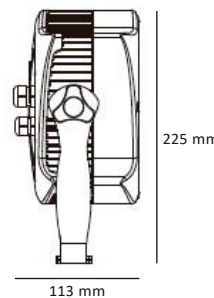
### 7x 15W RGBW LED par

The **B PAR105RGBW V2** is a compact yet very powerful par with a 7x 15W LED engine in a 15° angle. It features high-saturated colors, excellent color mix, beautiful dimming and fits into a NX34/30V truss.



### Physical

|   |                    |
|---|--------------------|
| Dimensions (WxHxD)                      | 219 x 225 x 133 mm |
| Packing dimensions (WxHxD)              | 220 x 220 x 235 mm |
| Dimensions outer carton (4 pcs) (WxHxD) | 465 x 465 x 480 mm |
| Nett weight                             | 3,3 kg             |
| Gross weight                            | 4,3 kg             |
| Gross weight (4 pcs)                    | 17.2 kg            |



### Mounting options

|                              |   |
|------------------------------|---|
| Hanging                      | 1x Omega bracket with 2x 1/4 turn quick lock fastener<br>1x M12 hole in the middle of the Omega bracket |
| Standing                     | Double bracket; adjustable opening angle  |
| 2nd suspension / safety wire | 1x Moulded eye on the housing to pass a safety wire or carabinier                                       |

### Control

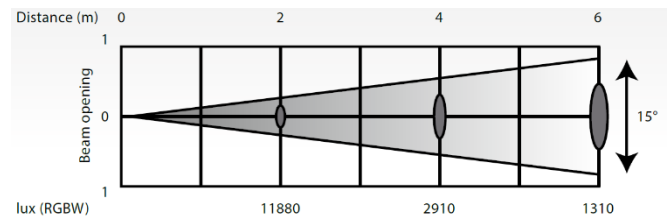
|   |                              |           |                |
|---|------------------------------|-----------|----------------|
| Menu control via TFT display with 4 buttons | In/Link                      | XLR 5 pin |                |
| Control                                     | DMX512, manual, master/slave | DMX mode  | 4/6/8 channels |
| Dimmer mode                                 | 0 - 100% - 8bit              |           |                |

## SPEC SHEET

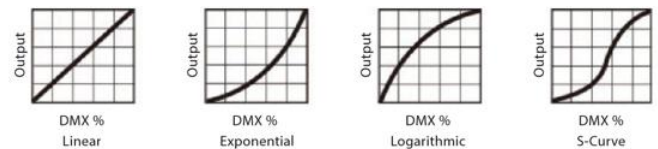
### Optical

|                   |  |
|-------------------|--|
| LED sources       | 7x 15W   |
| Beam angle        | 15°  |
| Light output RGBW | 11880 lux @ 2m<br>2910 lux @ 4m<br>1310 lux @ 6m |
| Strobe            | 0 – 20Hz   |
| Dimming curves    | 4  |
| Colors            | Red, Green, Blue + White<br>8 but color mix      |

### Photometrics Diagram



### Dimmer Curves

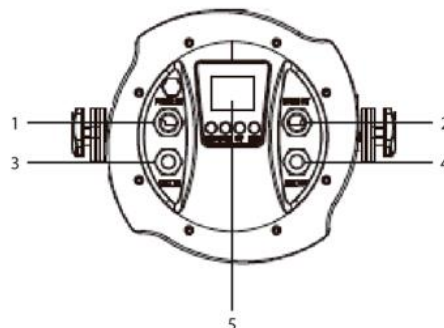


### Electrical

|                     |                      |             |  |
|---------------------|----------------------|-------------|--|
| Fixture rated power | 95W                  | Input power | 100 – 240V   50/60Hz – Auto switching power supply |
| LED engine          | 7x 15W   RGBW 4 in 1 | In/Link     | PowerCONTRUE1 – max link current 10A               |
| Refresh rate        | >400 Hz              |             |  |

### Connectivity

- 1 Power input
- 2 Power output
- 3 DMX input
- 4 DMX output
- 5 Color display



### Accessories

- Included**
- 1x Powercable with bare ends
  - 1x Omega bracket with 2x ¼ turn quick-lock fasteners
  - 1x Tophat

### Enviromental

|                    |                         |
|--------------------|-------------------------|
| IP Rating          | IP65                    |
| Cooling            | Electronic heat control |
| Humidity extractor |                         |