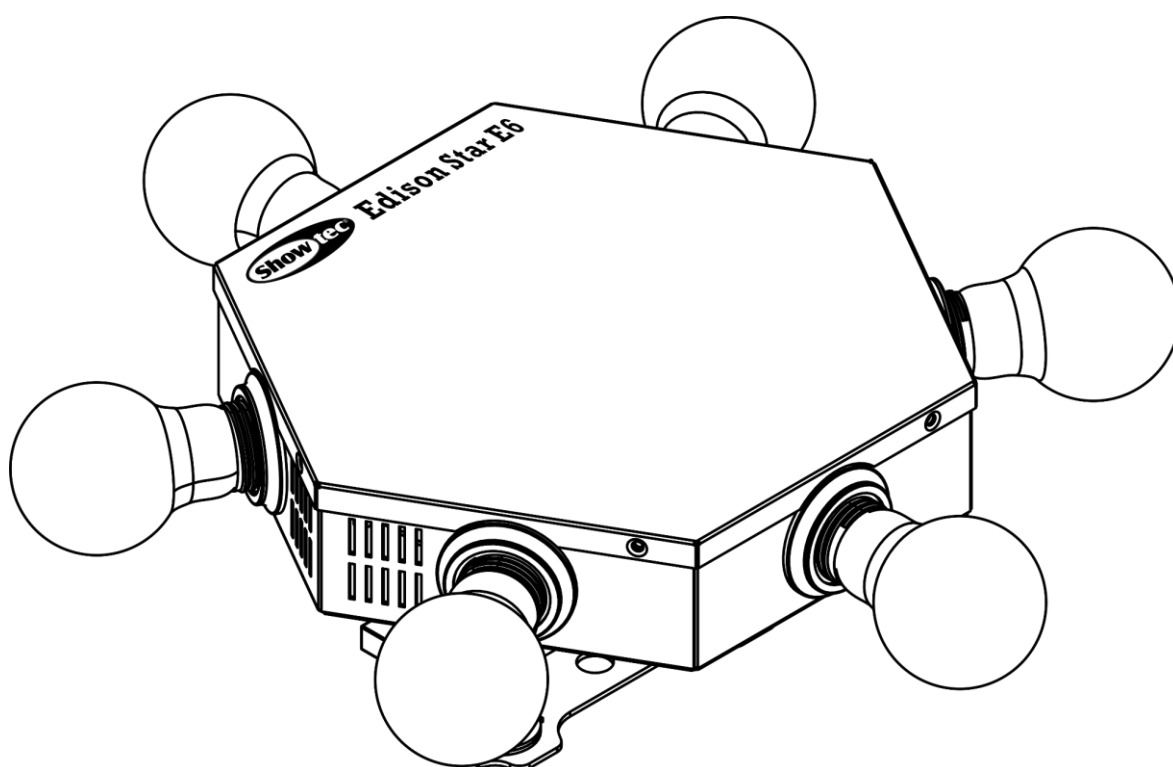




**MANUAL**



**ENGLISH**

**Edison Star E6**

**V1**

**Ordercode: 30748**

## Table of contents

---

<b>Warning</b> .....	2
Safety Instructions .....	2
Operating Determinations .....	4
Rigging .....	4
Return Procedure .....	6
Claims.....	6
<b>Description of the device</b> .....	7
Front.....	7
Back.....	8
<b>Installation</b> .....	8
<b>Setup and Operation</b> .....	9
Installing the Lamp.....	9
Control Modes.....	10
One Edison (Auto and Manual).....	10
One Edison (Sound-controlled).....	10
Multiple Edisons (Master/Slave control).....	10
Multiple Edisons (DMX Control) .....	11
Fixture Linking.....	12
Data Cabling.....	12
Control Panel.....	13
Control Mode .....	13
DMX Addressing.....	13
Menu Overview.....	14
Main Menu Options.....	14
1. Run Mode.....	14
1.1. DMX Mode.....	15
1.2. Sound-controlled Mode.....	15
1.3. Auto Mode .....	15
1.4. Manual .....	15
2. Pixel Inversion.....	15
3. DMX Fail.....	16
4. Reset.....	16
5. DMX Addressing.....	16
DMX Channels.....	16
1 Channel.....	16
6 Channels .....	16
<b>Maintenance</b> .....	17
Changing the Lamp.....	17
Replacing the Fuse.....	17
<b>Troubleshooting</b> .....	17
No Light.....	17
No Response to DMX.....	18
<b>Product Specifications</b> .....	19
<b>Dimensions</b> .....	20
<b>Notes</b> .....	21

## Warning



**For your own safety, please read this user manual carefully  
before your initial start-up!**

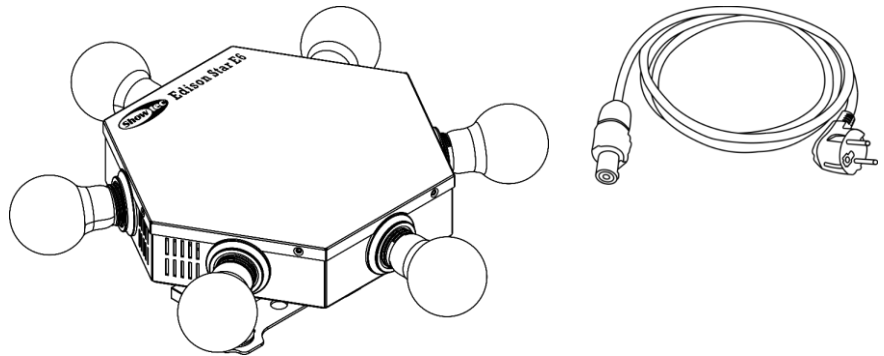


### Unpacking Instructions

Immediately upon receiving this product, carefully unpack the carton and check the contents to ensure that all parts are present, and have been received in good condition. Notify the dealer immediately and retain packing material for inspection if any parts appear damaged from shipping or the carton itself shows signs of mishandling. Save the carton and all packing materials. In the event that a fixture must be returned to the factory, it is important that the fixture be returned in the original factory box and packing.

### Your shipment includes:

- Showtec Edison Star E6
- Pro power cable (1,3 m)
- User manual



**CAUTION!**  
**Keep this device away from rain and moisture!**  
**Unplug mains lead before opening the housing!**



### Safety Instructions

Every person involved with the installation, operation and maintenance of this device has to:

- be qualified
- follow the instructions of this manual



**CAUTION! Be careful with your operations.**  
**With a dangerous voltage you can suffer  
a dangerous electric shock when touching the wires!**



Before the initial start-up, please make sure that there is no damage caused by transportation. Should there be any, consult your dealer and do not use the device.

To maintain perfect condition and to ensure a safe operation, it is absolutely necessary for the user to follow the safety instructions and warning notes contained in this manual.

Please consider that damages caused by manual modifications to the device are not subject to warranty.

This device contains no user-serviceable parts. Refer servicing to qualified technicians only.

**IMPORTANT:**

The manufacturer will not accept liability for any resulting damages caused by the non-observance of this manual or any unauthorized modification to the device.

- Never let the power cord come into contact with other cables! Handle the power cord and all connections with the mains with particular caution!
- Never remove warning or informative labels from the unit.
- Never use anything to cover the ground contact.
- Never place any material over the lamp.
- Never run the device without lamp!
- Never look directly into the light source.
- Never leave any cables lying around.
- Do not insert objects into air vents.
- Do not connect this device to a dimmer pack.
- Do not switch the device on and off in short intervals, as this will reduce the device's life.
- Do not touch the device's housing bare-handed during its operation (housing becomes very hot). Allow the fixture to cool for at least 5 minutes before handling.
- Do not shake the device. Avoid brute force when installing or operating the device.
- Only use the device indoors, avoid contact with water or other liquids.
- Only operate the fixture after having checked if the housing is firmly closed and all screws are tightly fastened.
- Only operate the device after having familiarized with its functions.
- Avoid flames and do not put close to flammable liquids or gases.
- Always replace the lamp, when it is damaged or deformed due to the heat.
- Always allow a free air space of at least 50 cm around the unit for ventilation.
- Always disconnect power from the mains, when device is not used or before cleaning or when replacing lamp! Only handle the power cord holding it by the plug. Never pull out the plug by tugging the power cord.
- Make sure that the device is not exposed to extreme heat, moisture or dust.
- Make sure that the available voltage is not higher than stated on the rear panel.
- Make sure that the power cord is never crimped or damaged. Check the device and the power cord from time to time.
- If device was dropped or struck, disconnect mains power supply immediately. Have a qualified engineer inspect for safety before operating.
- If the device has been exposed to drastic temperature fluctuation (e.g. after transportation), do not switch it on immediately. The arising condensation water might damage your device. Leave the device switched off until it has reached room temperature.
- If your Showtec device fails to work properly, discontinue the use immediately. Pack the unit securely (preferably in the original packing material), and return it to your Showtec dealer for service.
- For adult use only. The fixture must be installed beyond the reach of children. Never leave the unit running unattended.
- Never attempt to bypass the thermostatic switch or fuses.
- For replacement use lamps and fuses of same type and rating only.
- The user is responsible for correct positioning and operating of the Edison. The manufacturer will not accept liability for damages caused by the misuse or incorrect installation of this device.
- Allow time to cool down, before replacing lamp.
- This device falls under protection class I. Therefore it is essential to connect the yellow/green conductor to earth.
- Repairs, servicing and electric connection must be carried out by a qualified technician.
- **WARRANTY:** Till one year after date of purchase.



**CAUTION! Eyedamages!!!**  
**Avoid looking directly into the lightsource!!!**  
**(meant especially for epileptics)!!!**



### Operating Determinations

- This device is not designed for permanent operation. Consistent operation breaks will ensure that the device will serve you for a long time without defects.
- The minimum distance between light output and the illuminated surface must be bigger than 1 meter.
- In order to eliminate wear and improve the device's lifespan, during periods of non-use, completely disconnect from power source via breaker or by unplugging.
- The maximum ambient temperature  $t_a = 40\text{ °C}$  must never be exceeded.
- The relative humidity must not exceed 50 % with an ambient temperature of  $40\text{ °C}$ .
- If this device is operated in any other way than the one described in this manual, the product may suffer damages and the warranty becomes void.
- Any other operation may lead to dangers like short-circuit, burns, electric shock, crash, etc.

*You endanger your own safety and the safety of others!*

### Rigging

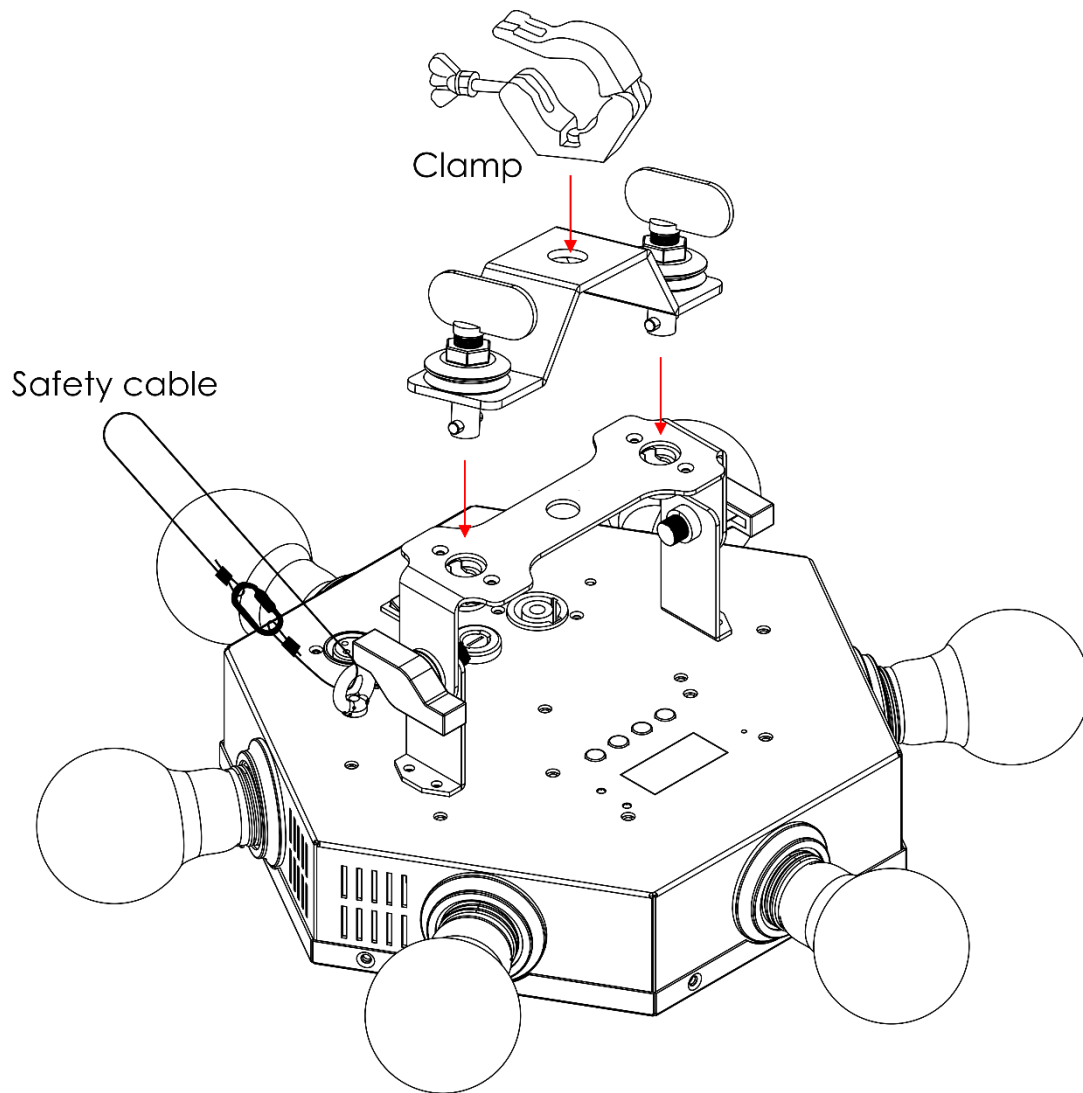
*Please follow the European and national guidelines concerning rigging, trussing and all other safety issues.*

*Do not attempt the installation yourself !*

*Always let the installation be carried out by an authorized dealer !*

### Procedure:

- If the Edison is lowered from the ceiling or high joists, professional trussing systems have to be used.
- Use a clamp to mount the Edison, with the mounting bracket, to the trussing system.
- The Edison must never be fixed swinging freely in the room.
- The installation must always be secured with a safety attachment, e.g. an appropriate safety net or safety cable.
- When rigging, derigging or servicing the Edison, always make sure, that the area below the installation site is secured and that there are not any unauthorized people around.



The Edison can be mounted to any kind of truss with quick locks and a clamp.

*Improper installation can cause serious injuries and/or damage of property!*

### Connection with the mains

Connect the device to the mains with the power-plug.

Always check if the right color cable is connected to the right place.

International	EU Cable	UK Cable	US Cable	Pin
L	BROWN	RED	YELLOW/COPPER	PHASE
N	BLUE	BLACK	SILVER	NEUTRAL
⊕	YELLOW/GREEN	GREEN	GREEN	PROTECTIVE GROUND

*Make sure that the device is always properly connected to the earth!*

*Improper installation can cause serious injuries and/or damage of property!*



### **Return Procedure**

Returned merchandise must be sent prepaid and in the original packing, call tags will not be issued. Package must be clearly labeled with a Return Authorization Number (RMA number). Products returned without an RMA number will be refused. Highlite will not accept the returned goods or any responsibility. Call Highlite 0031-455667723 or mail [offersales@highlite.com](mailto:offersales@highlite.com) and request an RMA prior to shipping the fixture. Be prepared to provide the model number, serial number and a brief description of the cause for the return. Be sure to properly pack fixture, any shipping damage resulting from inadequate packaging is the customer's responsibility. Highlite reserves the right to use its own discretion to repair or replace product(s). As a suggestion, proper UPS packing or double-boxing is always a safe method to use.

**Note: If you are given an RMA number, please include the following information on a piece of paper inside the box:**

- 01) Your name
- 02) Your address
- 03) Your phone number
- 04) A brief description of the symptoms

### **Claims**

The client has the obligation to check the delivered goods immediately upon delivery for any shortcomings and/or visible defects, or perform this check after our announcement that the goods are at their disposal. Damage incurred in shipping is the responsibility of the shipper; therefore the damage must be reported to the carrier upon receipt of merchandise.

It is the customer's responsibility to report and submit claims with the shipper in the event that a fixture is damaged due to shipping. Transportation damage has to be reported to us within one day after receipt of the delivery.

Any return shipment has to be made post-paid at all times. Return shipments must be accompanied with a letter defining the reason for return shipment. Non-prepaid return shipments will be refused, unless agreed otherwise in writing.

Complaints against us must be prepared in writing or sent by fax within 10 working days after receipt of the invoice. After this period complaints will not be handled anymore.

Complaints will only then be considered if the client has so far complied with all parts of the agreement, regardless of the agreement from which the obligation is resulting.

## Description of the device

### Features

The Edison Star E6 is a light effect with high output.

- Input voltage: 230 V AC, 50 Hz
- Power consumption: 130 W
- Light source: 6 x LED bulb (not included); Use only dimmable LED bulbs.
- Lamp socket: E27
- Control modes: Auto, Manual, Sound-controlled, Master/Slave, DMX-512
- DMX channels: 1, 6 channels
- Onboard: LCD display for easy setup
- Housing: Metal & flame retardant plastic
- Connections: Pro power connector IN(Blue)/OUT(Gray), 3-pin DMX IN/OUT
- Color: Black
- Fuse: T2AL/250V
- Dimensions: 276 x 270 x 141 mm (LxWxH)
- Weight: 2,3 kg

### Optional accessories:

[75150](#) – Quicklock Bracket

[83260](#) – LED Filament Bulb E27 (4 W)

[83261](#) – LED Filament Bulb E27 (5 W)

[83262](#) – LED Filament Bulb E27 (5 W)

[83264](#) – LED Filament Bulb E27 (5 W)

[83266](#) – LED Filament Bulb T9, Crossed Filament (300 mm)

[83267](#) – LED Filament Bulb T9, Crossed Filament (225 mm)

[83268](#) – LED Filament Bulb T9, Crossed Filament (185 mm)

[83269](#) – LED Filament Bulb T9, Straight Filament (300 mm)

[83270](#) – LED Filament Bulb T9, Straight Filament (225 mm)

[83271](#) – LED Filament Bulb T9, Straight Filament (185 mm)

[83275](#) – LED Filament Bulb BT180 (6 W)

[83276](#) – LED Filament Bulb BT118 (6 W)

[83277](#) – LED Filament Bulb G200 (6 W)

[83278](#) – LED Filament Bulb PS52 (6 W)

[83279](#) – LED Filament Bulb PS35 (6 W)

[83280](#) – LED Filament Bulb BTT80 (6 W)

[83281](#) – LED Filament Bulb R160 (6 W)

### Front

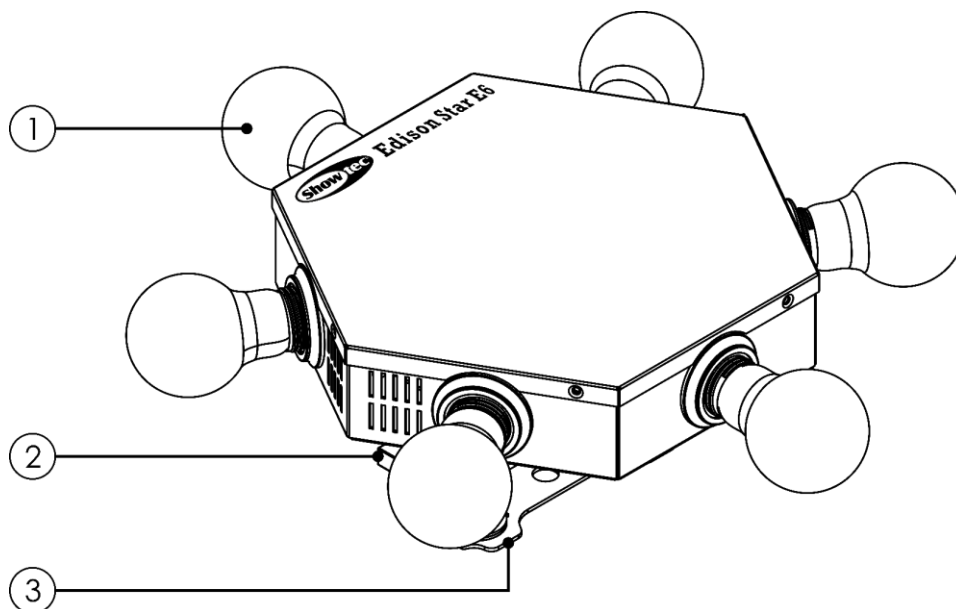


Fig. 01

01) LED bulb (not included)

02) Adjustment screw

03) Mounting bracket



## Back

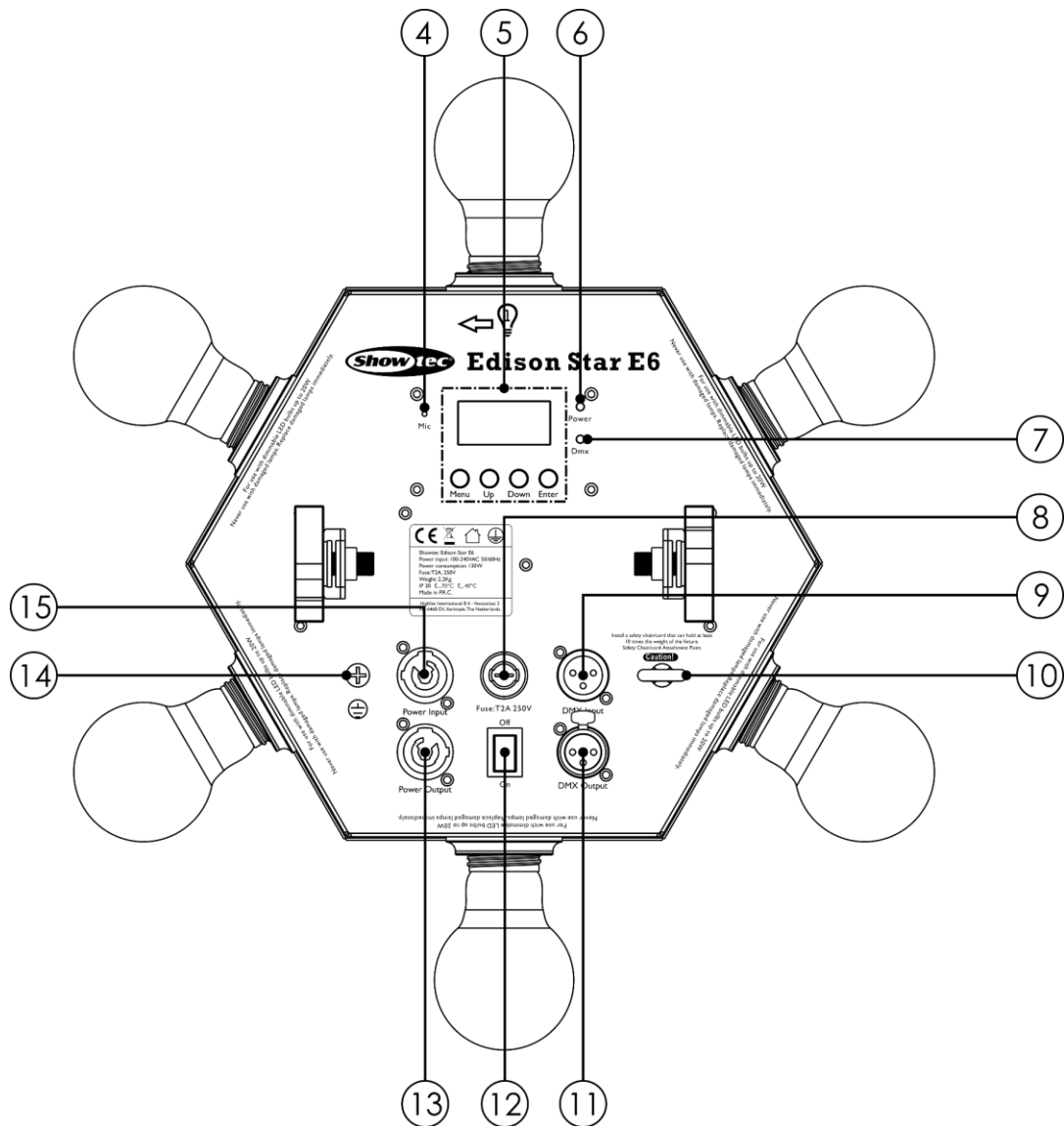


Fig. 02

- 04) Built-in microphone
- 05) LCD display + control buttons
- 06) LED power indicator
- 07) LED DMX indicator
- 08) Fuse T2AL/250V
- 09) 3-pin DMX signal connector IN
- 10) Safety eye
- 11) 3-pin DMX signal connector OUT
- 12) Power switch ON/OFF
- 13) 230 V pro power connector OUT (Gray)
- 14) Ground/earth connection
- 15) 230 V pro power connector IN (Blue)

## Installation

Remove all packing materials from the Edison Star E6. Check if all foam and plastic padding is removed. Connect all cables.

**Do not supply power before the whole system is set up and connected properly.**  
**Always disconnect from electric mains power supply before cleaning or servicing.**  
**Damages caused by non-observance are not subject to warranty.**

## Setup and Operation

Follow the directions below, as they pertain to your preferred operation mode.

Before plugging the unit in, always make sure that the power supply matches the product specification voltage. Do not attempt to operate a 120V specification product on 230V power, or vice versa. Connect the device to the main power supply.

### Installing the Lamp

The Showtec Edison Star E6 uses the following LED bulbs:

[83260](#) – LED Filament Bulb E27 (4 W)

[83261](#) – LED Filament Bulb E27 (5 W)

[83262](#) – LED Filament Bulb E27 (5 W)

[83264](#) – LED Filament Bulb E27 (5 W)

[83266](#) – LED Filament Bulb T9, Crossed Filament (300 mm)

[83267](#) – LED Filament Bulb T9, Crossed Filament (225 mm)

[83268](#) – LED Filament Bulb T9, Crossed Filament (185 mm)

[83269](#) – LED Filament Bulb T9, Straight Filament (300 mm)

[83270](#) – LED Filament Bulb T9, Straight Filament (225 mm)

[83271](#) – LED Filament Bulb T9, Straight Filament (185 mm)

[83275](#) – LED Filament Bulb BT180 (6 W)

[83276](#) – LED Filament Bulb BT118 (6 W)

[83277](#) – LED Filament Bulb G200 (6 W)

[83278](#) – LED Filament Bulb PS52 (6 W)

[83279](#) – LED Filament Bulb PS35 (6 W)

[83280](#) – LED Filament Bulb BTT80 (6 W)

[83281](#) – LED Filament Bulb R160 (6 W)

Use only the appropriate lamp for your unit. Note that product versions that use other lamps, may be offered in the future. Check your product specification label for information.

#### **Always disconnect from electric mains power supply before changing lamps.**

The lamp has to be replaced when it is damaged or deformed due to the heat.

**Do not install lamps of higher wattage!** Lamps of higher wattage generate temperatures which the device was not designed for.

**Damages caused by non-observance are not subject to warranty.**

- 01) Disconnect the Edison from power before installing the lamp.
- 02) Remove the lamp from the box and hold it **by the base**. Read lamp instructions. If you touch the bulb glass, wipe it off with a clean, lint free towel and rubbing alcohol.
- 03) Insert the lamp into the housing and turn it clockwise to secure it in position.

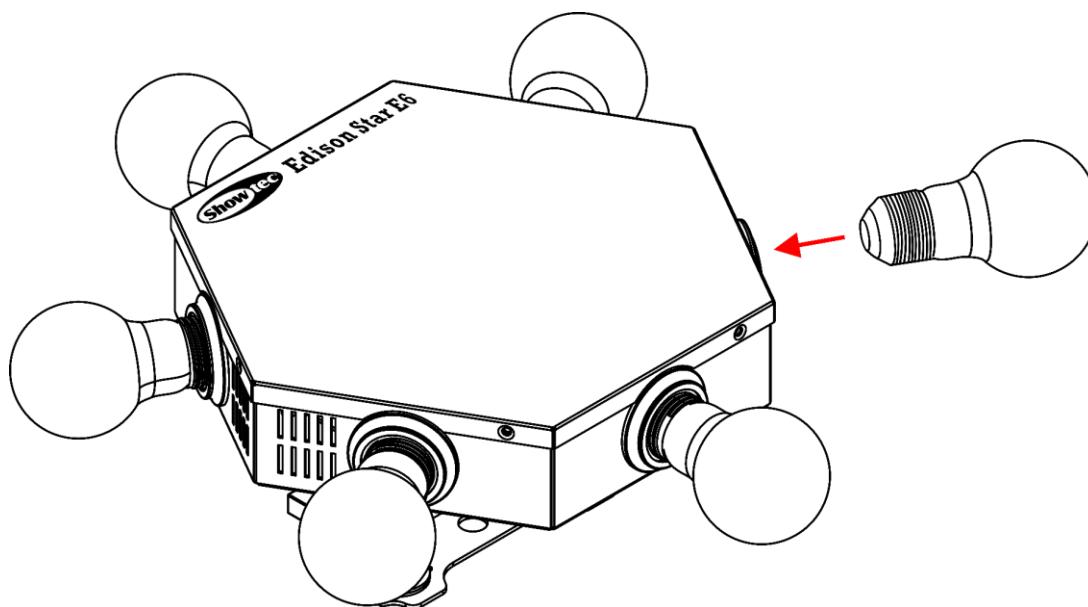


Fig. 03

## Control Modes

There are 5 modes:

- Auto
- Manual
- Sound-controlled
- Master/Slave
- DMX-512 (1CH, 6CH)

### One Edison (Auto and Manual)

- 01) Fasten the effect light to a firm trussing. Leave at least 0,5 meter on all sides for air circulation.
- 02) Always use a safety cable (ordercode 70140 / 70141).
- 03) Plug the end of the electric mains power cord into a proper electric power supply socket.
- 04) When the Edison is not connected with a DMX cable, it functions as a stand-alone device.  
Please see page 15 for more information about Auto mode and Manual mode.

### One Edison (Sound-controlled)

- 01) Fasten the effect light to a firm trussing. Leave at least 0,5 meter on all sides for air circulation.
- 02) Always use a safety cable (ordercode 70140 / 70141).
- 03) Plug the end of the electric mains power cord into a proper electric power supply socket.
- 04) Turn on the music. If the device is set to sound-control, then the Edison will react to the beat of the music. Please see page 15 for more information about the sound-control options.

### Multiple Edisons (Master/Slave control)

- 01) Fasten the effect light onto firm trussing. Leave at least 0,5 meter on all sides for air circulation.
- 02) Always use a safety cable (ordercode 70140 / 70141).
- 03) Use a 3-pin XLR cable to connect the Edison.

The pins:



- 01) Earth
- 02) Signal -
- 03) Signal +

- 04) Link the units as shown in Fig. 04. Connect the first unit's DMX "out" socket with the second unit's "in" socket, using a DMX signal cable. Repeat this process to link the second, third and fourth units. You can use the same functions on the master device as described on page 15 (Auto or Sound-controlled mode). This means that you can set your desired operation mode on the master device and all slave devices will react the same as the master device.

### Multiple Edisons (Master/Slave control)

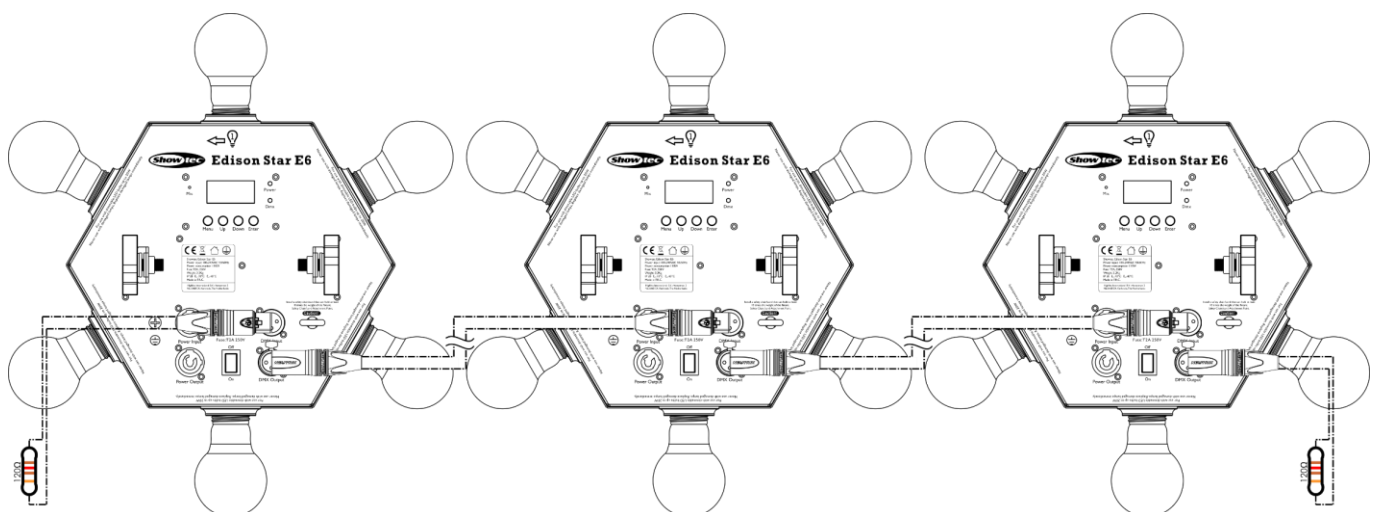
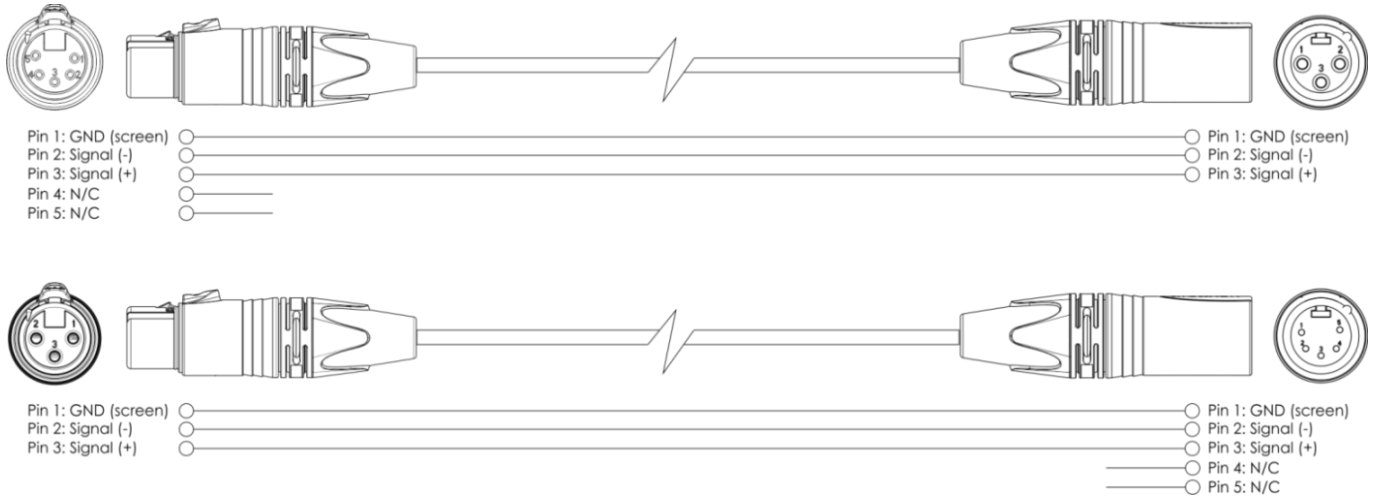


Fig. 04

## Multiple Edisons (DMX Control)

- 01) Fasten the effect light to a firm trussing or mount it on flat surface. Leave at least 0,5 meter on all sides for air circulation.
- 02) Always use a safety cable (ordercode 70140 / 70141).
- 03) Use a 3-pin DMX cable to connect the Edison and other devices.



- 04) Link the units as shown in Fig. 05. Connect a light controller to the first unit's DMX "in" socket, using a DMX cable. Connect the first unit's "out" socket with the second unit's "in" socket, using a DMX cable. Repeat this process to link the rest of the units.
- 05) Supply electric power: Plug electric mains power cords into each unit's pro power IN socket, then plug the other end of the mains power cord into proper electric power supply sockets, starting with the first unit. Do not supply power before the whole system is set up and connected properly.

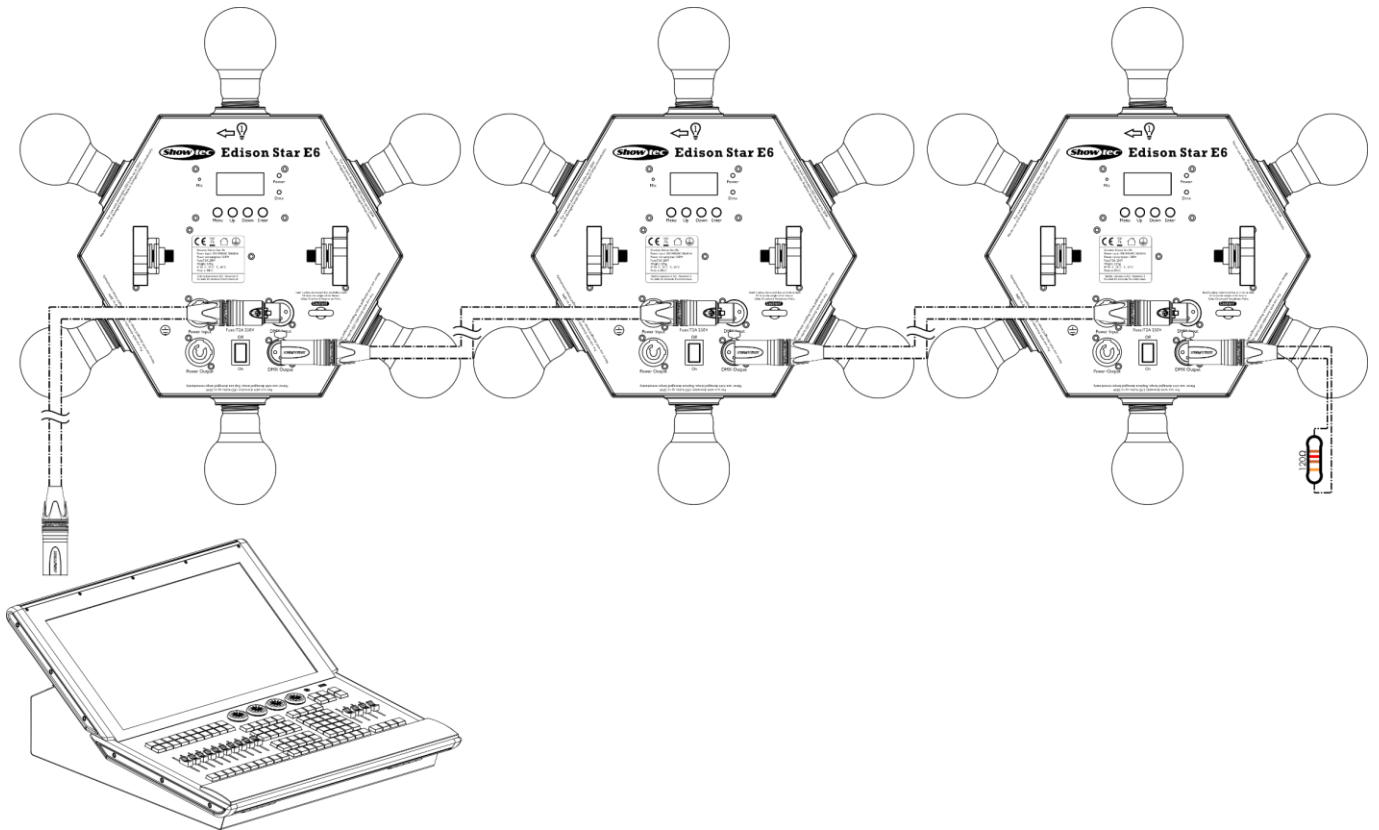



Fig. 05

**Note : Link all cables before connecting electric power**

## Fixture Linking

You will need a serial data link to run light shows of one or more fixtures using a DMX-512 controller or to run synchronized shows of two or more fixtures set to a master/slave operating mode. The combined number of channels required by all the fixtures on a serial data link determines the number of fixtures the data link can support.

**Important:** Fixtures on a serial data link must be daisy-chained in a single line. To comply with the EIA-485 standard, no more than 30 devices should be connected on one data link. Connecting more than 30 fixtures on one serial data link without the use of a DMX optically isolated splitter may result in deterioration of the digital DMX signal.

 Maximum recommended DMX data link distance: 100 meters  
 Maximum recommended number of fixtures on a DMX data link: 30 fixtures  
 Maximum recommended number of fixtures on a power link @ 120V: 12 fixtures  
 Maximum recommended number of fixtures on a power link @ 230V: 27 fixtures

## Data Cabling

To link fixtures together, you must obtain data cables. You can purchase DAP Audio certified DMX cables directly from a dealer/distributor or construct your own cable. If you choose to create your own cable, please use data-grade cables that can carry a high quality signal and are less prone to electromagnetic interference.

### DAP Audio DMX Data Cables

- DAP Audio Basic microphone cable for allround use. bal. XLR/M 3-pin > XLR/F 3-pin. **Order code** FL01150 (1,5 m), FL013 (3 m), FL016 (6 m), FL0110 (10 m), FL0115 (15 m), FL0120 (20 m).
- DAP Audio X-type data cable XLR/M 3-pin > XLR/F 3-pin. **Order code** FLX0175 (0,75 m), FLX01150 (1,5 m), FLX013 (3 m), FLX016 (6 m), FLX0110 (10 m).
- DAP Audio cable for the demanding user with exceptional audio-qualities and connector made by Neutrik®. **Order code** FL71150 (1,5 m), FL713 (3 m), FL716 (6 m), FL7110 (10 m).
- DAP Audio cable for the demanding user with exceptional audio-qualities and connector made by Neutrik®. **Order code** FL7275 (0,75 m), FL72150 (1,5 m), FL723 (3 m), FL726 (6 m), FL7210 (10 m).
- DAP Audio 110 Ohm cable with digital signal transmission. **Order code** FL0975 (0,75 m), FL09150 (1,5 m), FL093 (3 m), FL096 (6 m), FL0910 (10 m), FL0915 (15 m), FL0920 (20 m).
- DAP Audio data cable FL08 DMX/AES-EBU, XLR/M 5-pin > XLR/F 5-pin. **Order code** FL08150 (1,5 m), FL083 (3 m), FL086 (6 m), FL0810 (10 m), FL0820 (20 m).
- DAP Audio DMX adapter: 5-pin/3-pin. **Order code** FLA29.
- DAP Audio DMX adapter: 3-pin/5-pin. **Order code** FLA30.
- DAP Audio DMX Terminator 3-pin. **Order code** FLA42.
- DAP Audio DMX Terminator 5-pin. **Order code** FLA43.

The Edison Star E6 can be operated with a controller in **control mode** or without the controller in **stand-alone mode**.

## Control Panel

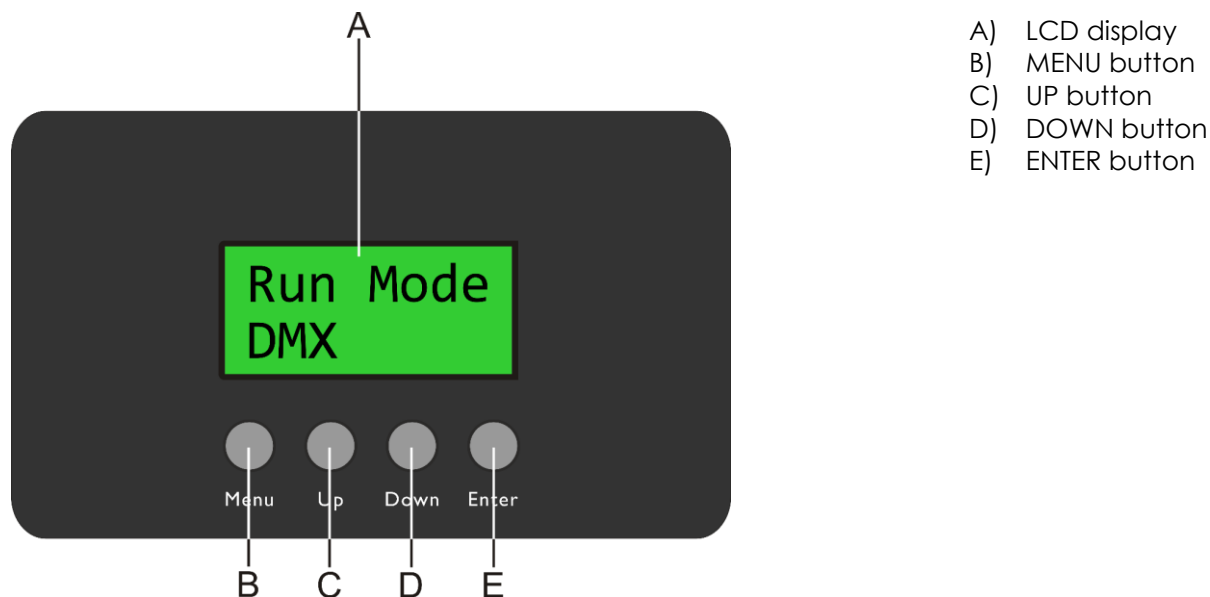


Fig. 06

## Control Mode

The fixtures are individually addressed on a data-link and connected to the controller. The fixtures respond to the DMX signal from the controller. (When you select the DMX address and save it, the controller will display the saved DMX address, next time.)

## DMX Addressing

The control panel on the front side of the base allows you to assign DMX fixture addresses, which is the first channel with which the Edison will respond to the controller.

Please note, when you use the controller, the unit has **6** channels.

When using multiple Edisons, make sure you set the DMX addresses right.

Therefore, the DMX address of the first Edison should be **1(001)**; the DMX address of the second Edison should be **1+6=7 (007)**; the DMX address of the third Edison should be **7+6=13 (013)**, etc.

Please, be sure that you do not have any overlapping channels in order to control each Edison correctly. If two or more Edisons are addressed similarly, they will work similarly.

## Controlling:

After having addressed all Edison fixtures, you may now start operating these via your lighting controller.

**Note:** After switching on, the Edison will automatically detect whether DMX 512 data is received or not. If there is no data received at the DMX input, the "LED" on the control panel will not flash.

If not, the problem may be:

- The XLR cable from the controller is not connected with the input of the Edison Star E6.
- The controller is switched off or defective, the cable or connector is defective, or the signal wires are swapped in the input connector.

**Note:** It is necessary to insert an XLR termination plug (with 120 Ohm) in the last fixture in order to ensure proper transmission on the DMX data link.

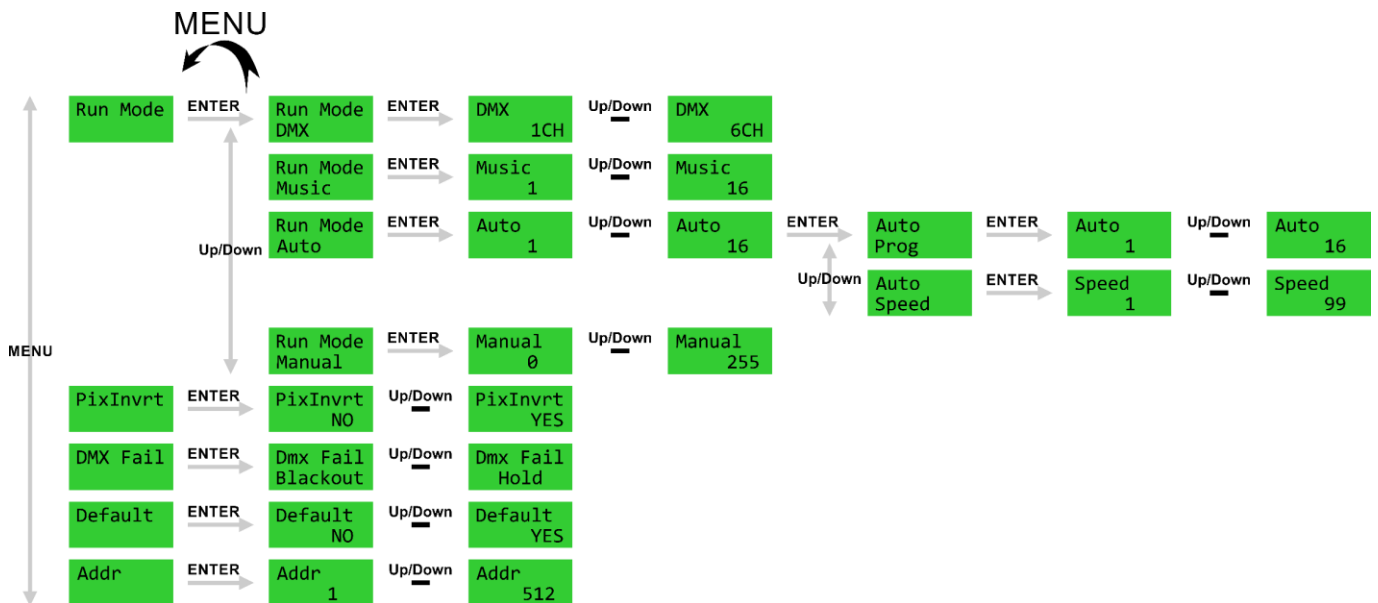
## ⚠ Display Off after 10 seconds ⚠

When no button is pressed for 10 seconds, the display will turn off.

To light up the display, you have to press the MENU, UP, DOWN or ENTER button.

Once you have pressed the button, the display will light up.

## Menu Overview



## Main Menu Options

Upon start-up, the device will show the current software version  
 After 10 seconds, the display will show the main menu.

Edi-Star  
 Ver 1.02

Run Mode	Run Mode
PixInvrt	Pixel Inversion
DMX Fail	DMX Fail
Default	Reset
Addr	DMX Addressing

### 1. Run Mode

In this menu you can set the desired operation mode.

Run Mode

- 01) In main menu, press the **MENU** button until the display shows
- 02) Press the **ENTER** button to open the menu.
- 03) Press the **UP/DOWN** buttons to choose one of the 4 operation modes:

Run Mode DMX	DMX mode
Run Mode Music	Sound-controlled mode
Run Mode Auto	Auto mode
Run Mode Manual	Manual mode

- 04) Press the **ENTER** button to open the desired menu.



## 1.1. DMX Mode

In this menu you can select the desired channel mode and control the device with a DMX controller.

01) Press the **UP/DOWN** buttons to choose one of the 2 channel modes:

DMX 1CH	1-channel mode
DMX 6CH	6-channel mode

02) Press the **ENTER** button to confirm.

## 1.2. Sound-controlled Mode

In this menu the device will react to the beat of the background music.

01) Press the **UP/DOWN** buttons to choose one of the 16 sound-controlled programs.

02) Press the **ENTER** button to confirm your choice.

03) The device will now react to the beat of the background music by means of the built-in microphone.

## 1.3. Auto Mode

In this menu you can run the desired built-in programs.

01) Press the **UP/DOWN** buttons to choose one of the 16 built-in programs.

02) Press the **ENTER** button to confirm.

03) Press the **UP/DOWN** buttons to choose one of the 2 menus:

Auto Prog	Program choice
Auto Speed	Program speed

04) Press the **ENTER** button to open the desired menu.

- If you have opened **Auto Prog**, press the **UP/DOWN** buttons to choose one of the 16 built-in programs.
- If you have opened **Auto Speed**, press the **UP/DOWN** buttons to set the program speed. The adjustment range is 1–99, from slow to fast.

05) Press the **ENTER** button to confirm/save changes.

## 1.4. Manual

In this menu you can manually set the LED bulb brightness.

01) Press the **UP/DOWN** buttons to set the LED bulb brightness. The adjustment range is 0–255, from dark to brightest.

02) Press the **ENTER** button to save changes.

## 2. Pixel Inversion

In this menu you can invert the order in which the LED bulbs light up.

- 01) In main menu, press the **MENU** button until the display shows **PixInvert**.
- 02) Press the **ENTER** button to open the menu.
- 03) Press the **UP/DOWN** buttons to choose between NO and YES.
- 04) Press the **ENTER** button to confirm.
- 05) If you have chosen YES, the LED bulb order will be inverted.



### 3. DMX Fail

In this menu you can set the behavior of the device in case of a DMX signal error.

- 01) In main menu, press the **MENU** button until the display shows **DMX Fail**.
- 02) Press the **ENTER** button to open the menu.
- 03) Press the **UP/DOWN** buttons to choose one of the 2 options:

**Dmx Fail  
Blackout**

The device will black out the light output.

**Dmx Fail  
Hold**

The device will use last properly received DMX signal, ensuring undisrupted performance.

- 04) Press the **ENTER** button to confirm.

### 4. Reset

In this menu you can restore the default factory settings.

- 01) In main menu, press the **MENU** button until the display shows **Default**.
- 02) Press the **ENTER** button to open the menu.
- 03) Press the **UP/DOWN** buttons to choose between NO and YES.
- 04) Press the **ENTER** button to confirm.
- 05) If you have chosen YES, the default factory settings will be restored.

### 5. DMX Addressing

In this menu you can set the DMX address.

- 01) In main menu, press the **MENU** button until the display shows **Addr**.
- 02) Press the **ENTER** button to open the menu.
- 03) Press the **UP/DOWN** buttons to select the required address. The adjustment range is 001–512.
- 04) Press the **ENTER** button to save changes.

## DMX Channels

### 1 Channel

#### Channel 1 – Dimmer (LED bulbs 1–6)

0–255 Dimmer intensity, from dark to brightest

### 6 Channels

#### Channel 1 – Dimmer (LED bulb 1)

0–255 Dimmer intensity, from dark to brightest

#### Channel 2 – Dimmer (LED bulb 2)

0–255 Dimmer intensity, from dark to brightest

#### Channel 3 – Dimmer (LED bulb 3)

0–255 Dimmer intensity, from dark to brightest

#### Channel 4 – Dimmer (LED bulb 4)

0–255 Dimmer intensity, from dark to brightest

#### Channel 5 – Dimmer (LED bulb 5)

0–255 Dimmer intensity, from dark to brightest

#### Channel 6 – Dimmer (LED bulb 6)

0–255 Dimmer intensity, from dark to brightest

## Maintenance

---

The operator has to make sure that safety-related and machine-technical installations are to be inspected by an expert after every year in the course of an acceptance test.

The operator has to make sure that safety-related and machine-technical installations are to be inspected by a skilled person once a year.

The following points have to be considered during the inspection:

- 01) All screws used for installing the device or parts of the device have to be tightly connected and must not be corroded.
- 02) There may not be any deformations on housings, fixations and installation spots.
- 03) Mechanically moving parts like axles, eyes and others may not show any traces of wearing.
- 04) The electric power supply cables must not show any damages or material fatigue.

The Edison Star E6 requires almost no maintenance. However, you should keep the unit clean. Otherwise, the fixture's light output will be significantly reduced. Disconnect the mains power supply, and then wipe the cover with a damp cloth. Do not immerse in liquid. Wipe the lamp clean with glass cleaner and a soft cloth. Do not use alcohol or solvents.

Please clean internal components once a year with a light brush and vacuum cleaner.

Make sure connections are thoroughly dry before supplying electric power.

## Changing the Lamp

- 01) Disconnect mains power supply.
- 02) Allow the fixture to cool for at least 15 minutes before handling and replacing lamp.
- 03) Follow directions for installing the lamp, page 9.

## Replacing the Fuse

Power surges, short-circuit or inappropriate electrical power supply may cause a fuse to burn out. If the fuse burns out, the product will not function whatsoever. If this happens, follow the directions below.

- 01) Unplug the unit from electric power source.
- 02) Insert a flat-headed screwdriver into a slot in the fuse cover. Turn the screwdriver to the left, at the same time gently push a bit (Turn and Push). The fuse will come out.
- 03) Remove the used fuse. If brown or unclear, it is burned out.
- 04) Insert the replacement fuse into the holder where the old fuse was. Reinsert the fuse holder. Be sure to use a fuse of the same type and specification. See the product specification label for details.

## Troubleshooting

---

This troubleshooting guide is meant to help solve simple problems.

If a problem occurs, carry out the steps below in sequence until a solution is found. Once the unit operates properly, do not carry out following steps.

### No Light

If the light effect does not operate properly, refer servicing to a technician.

Suspect three potential problem areas as: the power supply, the lamp, the fuse.

- 01) Power supply. Check that the unit is plugged into an appropriate power supply.
- 02) The lamp. See page 9 for replacing the lamp.
- 03) The fuse. Replace the fuse. See page 17 for replacing the fuse.
- 04) If all of the above appears to be O.K., plug the unit in again.
- 05) If you are unable to determine the cause of the problem, do not open the Edison Star E6, as this may damage the unit and the warranty will become void.
- 06) Return the device to your Showtec dealer.

## No Response to DMX

Suspect the DMX cable or connectors, a controller malfunction, a light effect DMX card malfunction.

- 01) Check the DMX setting. Make sure that DMX addresses are correct.
- 02) Check the DMX cable: Unplug the unit; change the DMX cable; then reconnect to electrical power. Try your DMX control again.
- 03) Determine whether the controller or light effect is at fault. Does the controller operate properly with other DMX products? If not, take the controller in for repair. If so, take the DMX cable and the light effect to a qualified technician.

Problem	Probable cause(s)	Remedy
One or more fixtures do not function at all.	No power to the fixture.	<ul style="list-style-type: none"> <li>● Check if power is switched on and cables are plugged in.</li> </ul>
	Primary fuse blown.	<ul style="list-style-type: none"> <li>● Replace fuse.</li> </ul>
Fixtures reset correctly, but all respond erratically or not at all to the controller.	The controller is not connected.	<ul style="list-style-type: none"> <li>● Connect controller.</li> </ul>
	3-pin XLR Out of the controller does not match XLR In of the first fixture on the link (i.e. signal is reversed).	<ul style="list-style-type: none"> <li>● Install a phase reversing cable between the controller and the first fixture on the link.</li> </ul>
Fixtures reset correctly, but some respond erratically or not at all to the controller.	Poor data quality.	<ul style="list-style-type: none"> <li>● Check data quality. If much lower than 100 percent, the problem may be a bad data link connection, poor quality or broken cables, missing termination plug, or a defective fixture disturbing the link.</li> </ul>
	Bad data link connection.	<ul style="list-style-type: none"> <li>● Inspect connections and cables. Correct poor connections. Repair or replace damaged cables.</li> </ul>
	Data link not terminated with 120 Ohm termination plug.	<ul style="list-style-type: none"> <li>● Insert termination plug in output jack of the last fixture on the link.</li> </ul>
	Incorrect addressing of the fixtures.	<ul style="list-style-type: none"> <li>● Check address setting.</li> </ul>
	One of the fixtures is defective and disturbs data transmission on the link.	<ul style="list-style-type: none"> <li>● Bypass one fixture at a time until normal operation is regained: unplug both connectors and connect them directly together.</li> <li>● Have the defective fixture serviced by a qualified technician.</li> </ul>
	3-pin XLR Out on the fixtures does not match (pins 2 and 3 reversed).	<ul style="list-style-type: none"> <li>● Install a phase-reversing cable between the fixtures or swap pin 2 and 3 in the fixture, that behaves erratically.</li> </ul>
No light or lamp cuts out intermittently.	Fixture is too hot.	<ul style="list-style-type: none"> <li>● Allow fixture to cool.</li> <li>● Make sure air vents are not blocked.</li> <li>● Turn up the air conditioning.</li> </ul>
	Lamp damaged.	<ul style="list-style-type: none"> <li>● Disconnect fixture and replace the lamp.</li> </ul>
	The power supply settings do not match local AC voltage and frequency.	<ul style="list-style-type: none"> <li>● Disconnect fixture. Check settings and correct if necessary.</li> </ul>

## Product Specifications

Model:	Showtec Edison Star E6
Input voltage:	230 V AC, 50 Hz
Power consumption:	130 W
Fuse:	T2AL/250V
Dimensions:	276 x 270 x 141 mm (LxWxH)
Weight:	2,3 kg
<b>Electro-mechanical effects:</b>	
Light source:	6 x LED bulb (not included); Use only dimmable LED bulbs.
Lamp socket:	E27
Control modes:	Auto, Manual, Sound-controlled, Master/Slave, DMX-512
DMX channels:	1, 6 channels
Onboard:	LCD display for easy setup
Housing:	Metal & flame retardant plastic
Color:	Black
Connections:	Pro power connector IN(Blue)/OUT(Gray), 3-pin DMX IN/OUT
<b>Lamp:*</b>	
<a href="#">83260</a> – LED Filament Bulb E27 (4 W)	<a href="#">83271</a> – LED Filament Bulb T9, Straight Filament (185 mm)
<a href="#">83261</a> – LED Filament Bulb E27 (5 W)	<a href="#">83275</a> – LED Filament Bulb BT180 (6 W)
<a href="#">83262</a> – LED Filament Bulb E27 (5 W)	<a href="#">83276</a> – LED Filament Bulb BT118 (6 W)
<a href="#">83264</a> – LED Filament Bulb E27 (5 W)	<a href="#">83277</a> – LED Filament Bulb G200 (6 W)
<a href="#">83266</a> – LED Filament Bulb T9, Crossed Filament (300 mm)	<a href="#">83278</a> – LED Filament Bulb PS52 (6 W)
<a href="#">83267</a> – LED Filament Bulb T9, Crossed Filament (225 mm)	<a href="#">83279</a> – LED Filament Bulb PS35 (6 W)
<a href="#">83268</a> – LED Filament Bulb T9, Crossed Filament (185 mm)	<a href="#">83280</a> – LED Filament Bulb BTT80 (6 W)
<a href="#">83269</a> – LED Filament Bulb T9, Straight Filament (300 mm)	<a href="#">83281</a> – LED Filament Bulb R160 (6 W)
<a href="#">83270</a> – LED Filament Bulb T9, Straight Filament (225 mm)	
Max. ambient temperature $t_a$ :	40 °C
Max. housing temperature $t_B$ :	70 °C
<b>Minimum distance:</b>	
Minimum distance from flammable surfaces:	0,5 m
Minimum distance to lighted object:	1 m

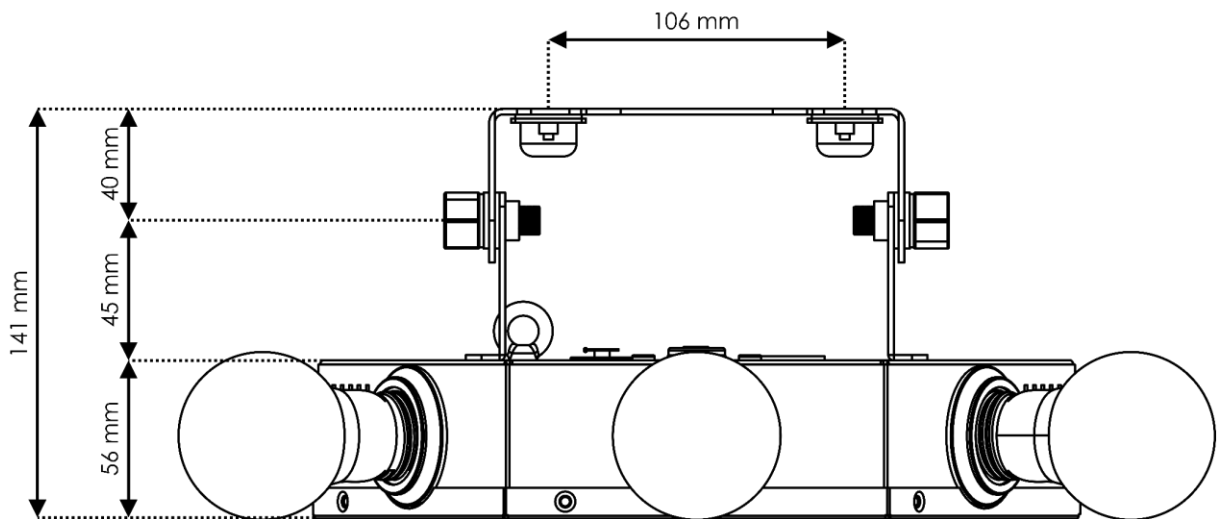
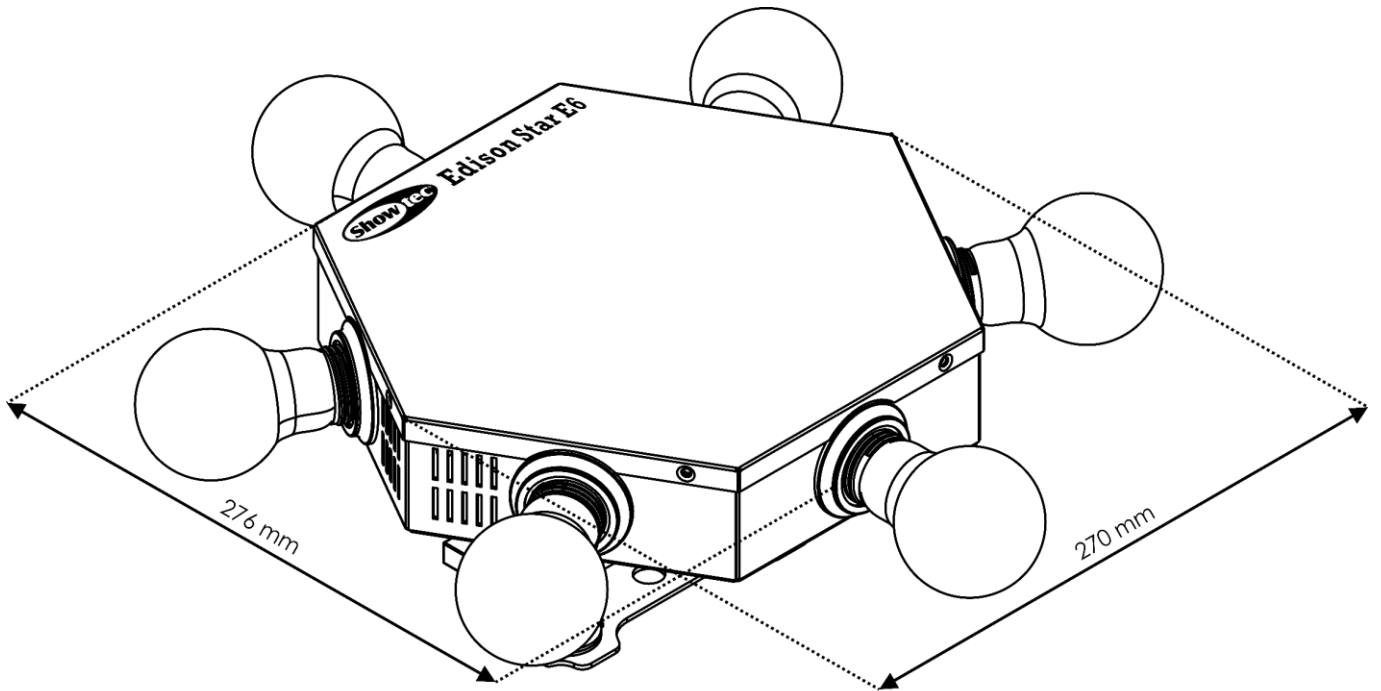
\*: Versions for other lamps may be produced. Please check the specification label on your product.

Design and product specifications are subject to change without prior notice.



Website: [www.Showtec.info](http://www.Showtec.info)  
Email: [service@highlite.com](mailto:service@highlite.com)

## Dimensions









©2019 Showtec