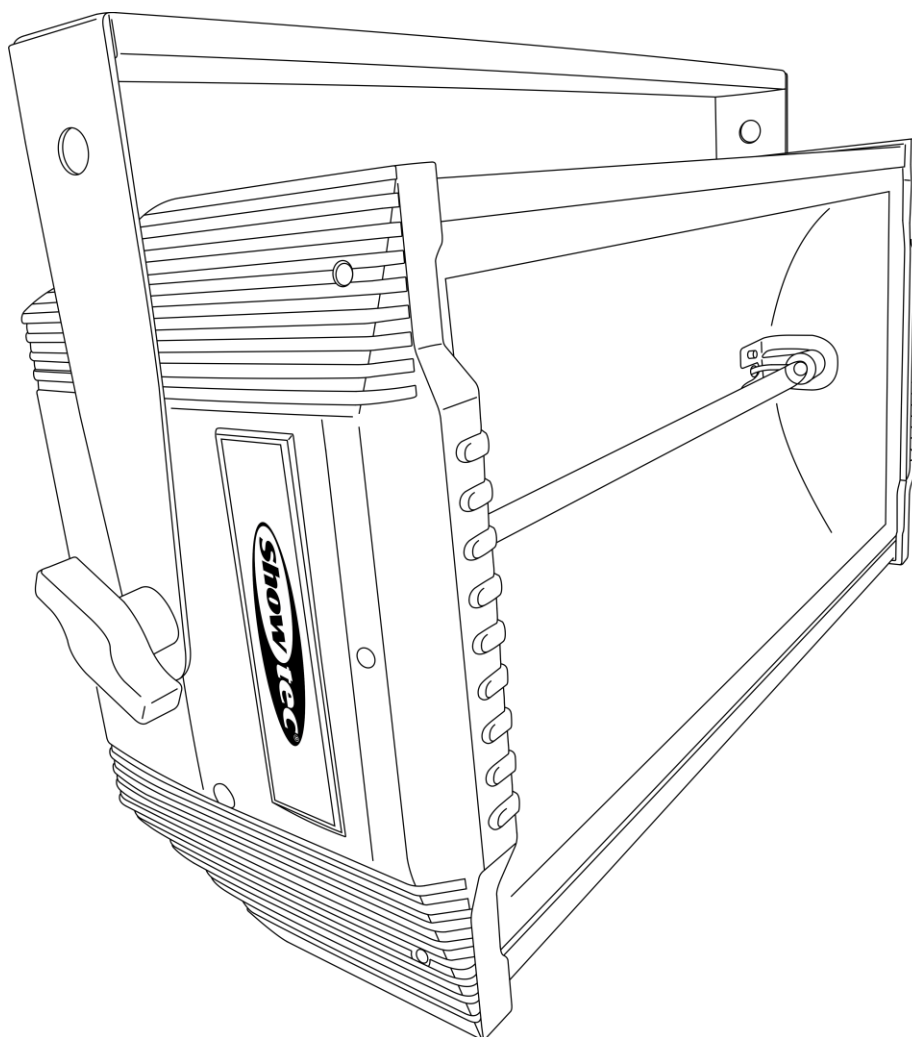




MANUAL



ENGLISH

Titan Strobe BLAZE

V1

Ordercode: 40297

Table of contents

Warning	2
Safety Instructions	2
Operating Determinations	4
Rigging	4
Connection with the mains.....	5
Return Procedure.....	5
Claims.....	5
Description of the device	6
Features	6
Frontside.....	6
Backside	7
Installation	7
Installing the Lamp.....	7
Set Up and Operation	7
Control Modes.....	8
One Titan Strobe (Manual)	8
Multiple Titan Strobes (Master/Slave control)	8
Multiple Titan Strobes (DMX Control)	9
Fixture Linking.....	10
Data Cabling.....	10
Control Panel.....	11
Control Mode	11
DMX Addressing	11
Menu Overview	12
Main Menu Options.....	13
1. Operation Modes	13
2. DMX Address (DMX Settings)	13
3. Channel Modes (DMX Settings)	13
4. DMX Error (DMX Settings)	14
5. Strobe Brightness (Manual Mode)	14
6. Strobe Frequency (Manual Mode)	14
7. LED Master Dimmer (Manual Mode)	14
8. LED Color Macros (Manual Mode)	14
9. LED Color Switch/Flow Speed (Manual Mode)	14
10. LED Color Switch/Color Flow Settings (Manual Mode)	15
11. LED Strobe Frequency (Manual Mode)	15
DMX Channels	15
3 Channels	15
5 Channels	16
9 Channels	17
Maintenance	18
Changing the Lamp.....	18
Replacing the Fuse.....	18
Troubleshooting	18
No Light.....	18
No Response to DMX.....	19
Product Specifications	20
Dimensions	21

Warning



**For your own safety, please read this user manual carefully
before your initial start-up!**

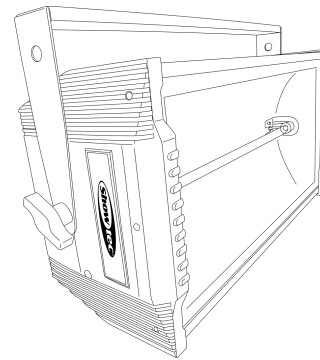


Unpacking Instructions

Immediately upon receiving this product, carefully unpack the carton and check the contents to ensure that all parts are present, and have been received in good condition. Notify the dealer immediately and retain packing material for inspection if any parts appear damaged from shipping or the carton itself shows signs of mishandling. Save the carton and all packing materials. In the event that a fixture must be returned to the factory, it is important that the fixture be returned in the original factory box and packing.

Your shipment includes:

- Showtec Titan Strobe BLAZE
- Pro power cable (1,5 m)
- Mounting bracket
- User manual



LED Expected Lifespan

LEDs gradually decline in brightness over time. HEAT is the dominant factor that leads to the acceleration of this decline. Packaged in clusters, LEDs exhibit higher operating temperatures than in ideal or singular optimum conditions. For this reason, when all color LEDs are used at their fullest intensity, life of the LEDs is significantly reduced. If improving the lifespan is of higher priority, place care in providing for lower operational temperatures. This may include climatic-environmental and the reduction of overall projection intensity.



CAUTION!

**Keep this device away from rain and moisture!
Unplug mains lead before opening the housing!**



Safety Instructions

Every person involved with the installation, operation and maintenance of this device has to:

- be qualified
- follow the instructions of this manual



**CAUTION! Be careful with your operations.
With a dangerous voltage you can suffer
a dangerous electric shock when touching the wires!**



Before the initial start-up, please make sure that there is no damage caused by transportation. Should there be any, consult your dealer and do not use the device.

To maintain perfect condition and to ensure a safe operation, it is absolutely necessary for the user to follow the safety instructions and warning notes contained in this manual.

Please consider that damages caused by manual modifications to the device are not subject to warranty.

This device contains no user-serviceable parts. Refer servicing to qualified technicians only.

IMPORTANT:

The manufacturer will not accept liability for any resulting damages caused by the non-observance of this manual or any unauthorized modification to the device.

- Never let the power cord come into contact with other cables! Handle the power cord and all connections with the mains with particular caution!
- Never remove warning or informative labels from the unit.
- Never use anything to cover the ground contact.
- Never run the device without lamp!
- Never ignite the lamp if the objective lens or any housing cover is open, as discharge lamps may expose and emit a high ultraviolet radiation, which may cause burns.
- Never look directly into the light source.
- Never leave any cables lying around.
- Never modify, bend, mechanically strain, put pressure on, pull or heat up the power cord.
- Never strain the cable insert or the female part in the device. There must always be sufficient cable going to the device. Otherwise, the cable will be damaged, which can cause serious damage.
- Never operate the stroboscope without protective shield! When the shield is cracked, replace it before using the device again.
- Do not insert objects into air vents.
- Do not connect this device to a dimmer pack.
- Do not switch the device on and off in short intervals, as this would reduce the lamp's life.
- Do not touch the device's housing bare-handed during its operation (housing becomes very hot).
- Do not shake the device. Avoid brute force when installing or operating the device.
- Only use device indoors, avoid contact with water or other liquids.
- Only operate the fixture after having checked that the housing is firmly closed and all screws are tightly fastened.
- Only operate the device after having familiarized with its functions.
- Avoid flames and do not put close to flammable liquids or gases.
- Always replace the lamp, when it is damaged or deformed due to the heat.
- Always keep case closed while operating.
- Always allow free air space of at least 50 cm around the unit for ventilation.
- Always disconnect power from the mains, when device is not used, before cleaning or when replacing lamp! Only handle the power cord by the plug. Never pull out the plug by tugging the power cord.
- Make sure that the device is not exposed to extreme heat, moisture or dust.
- Make sure that the available voltage is not higher than stated on the rear panel.
- Make sure that the power cord is never crimped or damaged. Check the device and the power cord from time to time.
- Make sure that the core diameter of extension cords and power cords is sufficient for the required power consumption of the device.
- If device is dropped or struck, disconnect main power supply immediately. Have a qualified engineer inspect for safety before operating.
- If the device has been exposed to drastic temperature fluctuation (e.g. after transportation), do not switch it on immediately. The arising condensation water might damage your device. Leave the device switched off until it has reached room temperature.
- If your Showtec device fails to work properly, discontinue use immediately. Pack the unit securely (preferably in the original packing material), and return it to your Showtec dealer for service.
- For adult use only. The fixture must be installed out of the reach of children. Never leave the unit running unattended.
- For replacement use lamps of same type and rating only.
- Allow time to cool down, before replacing lamp.
- Keep away from direct insulation.
- This device is only allowed for an installation via the mounting bracket.
- The user is responsible for correct positioning and operating of the Titan Strobe. The manufacturer will not accept liability for damages caused by the misuse or incorrect installation of this device.
- This device falls under protection class I. Therefore it is essential to connect the yellow/green conductor to earth.
- The relative humidity must not exceed 50% with an ambient temperature of 35°C.
- Repairs, servicing and electric connection must be carried out by a qualified technician.
- WARRANTY: Till one year after date of purchase.



CAUTION! Eyedamages!!!
Avoid looking directly into the lightsource!!!
(meant especially for epileptics)!!!



Operating Determinations

- This device is not designed for permanent operation. Consistent operation breaks will ensure that the device will serve you for a long time without defects.
- The minimum distance between light output and the illuminated surface must be bigger than 1 meter.
- To eliminate wear and improve lifespan, during periods of non-use, completely disconnect from power via breaker or by unplugging.
- The maximum ambient temperature $t_a = 35^\circ\text{C}$ must never be exceeded.
- The relative humidity must not exceed 50 % with an ambient temperature of 35°C .
- If this device is operated in any other way than the one described in this manual, the product may suffer damages and the warranty becomes void.
- Any other operation may lead to dangers like short-circuit, burns, electric shock, crash, etc.

You endanger your own safety and the safety of others!

Rigging

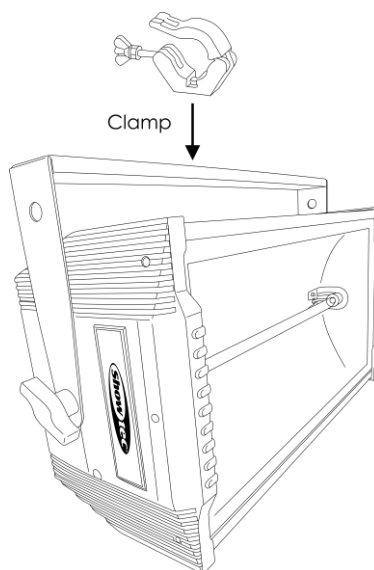
Please follow the European and national guidelines concerning rigging, trussing and all other safety issues.

Do not attempt the installation yourself !

Always let the installation be carried out by an authorized dealer !

Procedure:

- If the Titan Strobe is lowered from the ceiling or high joists, professional trussing systems have to be used.
- Use a clamp to mount the Titan Strobe, with the mounting bracket, to the trussing system.
- The Titan Strobe must never be fixed swinging freely in the room.
- The installation must always be secured with a safety attachment, e.g. an appropriate safety net or safety cable.
- When rigging, derigging or servicing the Titan Strobe, always make sure that the area below the installation site is secured and that there are not any unauthorized people around.




The Titan Strobe BLAZE can be mounted to any kind of truss with a clamp.

Improper installation can cause serious injuries and/or damage of property!

Connection with the mains

Connect the device to the mains with the power-plug.
Always check if the right color cable is connected to the right place.

International	EU Cable	UK Cable	US Cable	Pin
L	BROWN	RED	YELLOW/COPPER	PHASE
N	BLUE	BLACK	SILVER	NEUTRAL
	YELLOW/GREEN	GREEN	GREEN	PROTECTIVE GROUND

Make sure that the device is always properly connected to the earth!

Improper installation can cause serious injuries and/or damage of property!



Return Procedure

Returned merchandise must be sent prepaid and in the original packing, call tags will not be issued. Package must be clearly labeled with a Return Authorization Number (RMA number). Products returned without an RMA number will be refused. Highlite will not accept the returned goods or any responsibility. Call Highlite 0031-455667723 or mail aftersales@highlite.nl and request an RMA prior to shipping the fixture. Be prepared to provide the model number, serial number and a brief description of the cause for the return. Be sure to properly pack fixture, any shipping damage resulting from inadequate packaging is the customer's responsibility. Highlite reserves the right to use its own discretion to repair or replace product(s). As a suggestion, proper UPS packing or double-boxing is always a safe method to use.

Note: If you are given an RMA number, please include the following information on a piece of paper inside the box:

- 01) Your name
- 02) Your address
- 03) Your phone number
- 04) A brief description of the symptoms

Claims

The client has the obligation to check the delivered goods immediately upon delivery for any shortcomings and/or visible defects, or perform this check after our announcement that the goods are at their disposal. Damage incurred in shipping is the responsibility of the shipper; therefore the damage must be reported to the carrier upon receipt of merchandise.

It is the customer's responsibility to report and submit claims with the shipper in the event that a fixture is damaged due to shipping. Transportation damage has to be reported to us within one day after receipt of the delivery.

Any return shipment has to be made post-paid at all times. Return shipments must be accompanied with a letter defining the reason for return shipment. Non-prepaid return shipments will be refused, unless agreed otherwise in writing.

Complaints against us must be prepared in writing or sent by fax within 10 working days after receipt of the invoice. After this period complaints will not be handled anymore.

Complaints will only then be considered if the client has so far complied with all parts of the agreement, regardless of the agreement from which the obligation is resulting.

Description of the device

Features

The Showtec Titan Strobe BLAZE is a perfect enhancement of the traditional Titan Strobe. The RGB LEDs provide a colorful illumination of the reflector. The pre-programmed color macros are divided into zones, in order to create color flows. The built-in lightning simulation, linear and random strobe effects, blinder and single flash mode make the new Titan Strobe BLAZE the complete package for all professional lighting operators.

- Input voltage: 240V AC, 50/60Hz
- Power consumption: 1800W
- Light source (strobe): Xenon 1500W tube
- Light source (blaze): 2 x RGB LED strip
- Light output: 120,000 lm
- Strobe (linear): 1-15Hz
- Strobe (blinder): 25Hz
- Control: Manual, Master/Slave, DMX-512/RDM
- DMX control: via standard DMX controller
- DMX channels: 3, 5, 9 channels
- Circuit breaker: 16A
- Color: Black
- Housing: Metal & flame-retardant plastic
- Connections: 3-pin/5-pin XLR IN/OUT, Pro power connector Blue IN
- IP rating: IP-20
- Dimensions: 495 x 160 x 265 mm (LxWxH)
- Weight: 5,9 kg

Frontside

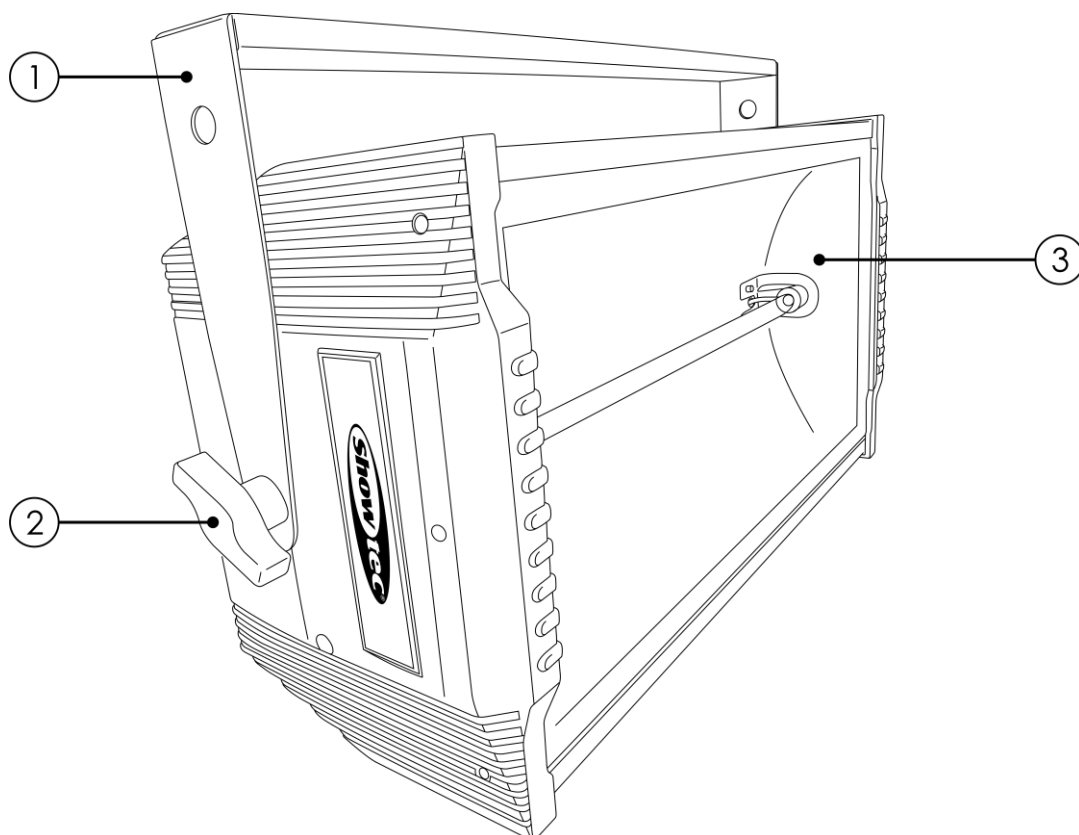


Fig. 01

- 01) Mounting bracket with inclination screw
- 02) Adjustment screw
- 03) Lens

Backside

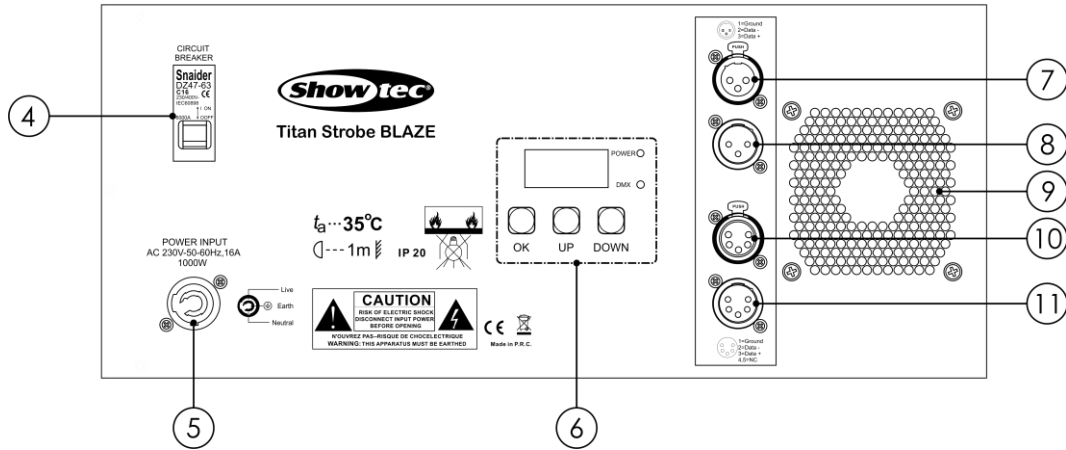


Fig. 02

- 04) 16A circuit breaker (power switch ON/OFF)
- 05) 240V Pro power connector Blue IN
- 06) LCD display + LED indicators and control buttons
- 07) 3-pin DMX signal connector OUT
- 08) 3-pin DMX signal connector IN
- 09) Cooling fan
- 10) 5-pin DMX signal connector OUT
- 11) 5-pin DMX signal connector IN

Installation

Remove all packing materials from the Titan Strobe BLAZE. Check if all foam and plastic padding is removed. Connect all cables.

Do not supply power before the whole system is set up and connected properly.

Always disconnect from electric mains power supply before cleaning or servicing.

Damages caused by non-observance are not subject to warranty.

Installing the Lamp

The Showtec Titan Strobe BLAZE uses the Showtec PX-1500 Xenon flashtube lamp, 1500W (**ordercode 82690**). Use only the appropriate lamp for your unit. Note that product versions, that use other lamps, may be offered in the future. Check your product specification label for information.

Always disconnect from electric mains power supply before changing lamps.

The lamp has to be replaced when it is damaged or deformed due to the heat.

Do not install lamps of higher wattage! Lamps of higher wattage generate temperatures which the device was not designed for.

Damages caused by non-observance are not subject to warranty.



DANGEROUS: Leave the device disconnected for 15 minutes, before opening. Otherwise, you risk electrocution.



- 01) Disconnect from main power supply, and leave for 15 minutes.
- 02) Remove the glass cover. With the left hand, gently pull the lamp out of the spring, while pushing the spring back with the right hand.
- 03) Remove the lamp. Read lamp instructions. Do not touch the lamp bulb glass. Oil on hands shortens the lamp life. (If you touch the bulb glass, wipe off the glass with a clean, lint-free towel and rubbing alcohol.) Hold the lamp with one hand and insert the lamp into the spring. Put the glass cover back.

Set Up and Operation

Follow the directions below, as they pertain to your preferred operation mode.

Before plugging the unit in, always make sure that the power supply matches the product specification voltage. Do not attempt to operate a 120V specification product on 230V power, or vice versa.

Connect the device to the main power supply.

Control Modes

There are 3 modes:

- Manual
- Master/Slave
- DMX-512/RDM (3CH, 5CH, 9CH)

One Titan Strobe (Manual)

- 01) Fasten the effect light to a firm trussing. Leave at least 0,5 meter on all sides for air circulation.
- 02) Plug the end of the electric mains power cord into a proper electric power supply socket.
- 03) When the Titan Strobe is not connected with a DMX cable, it functions as a stand-alone device. Please see pages 14-15 for more information about Manual mode.

Multiple Titan Strobes (Master/Slave control)

- 01) Fasten the effect light onto firm trussing. Leave at least 0,5 meter on all sides for air circulation.
- 02) Use a 3-pin/5-pin XLR cable to connect the Titan Strobe.

The pins:



- 01) Earth
- 02) Signal -
- 03) Signal +

- 03) Link the units as shown in fig. 03. Connect the first unit's DMX "out" socket with the second unit's "in" socket, using a DMX-signal cable. Repeat this process to link the second, third, and fourth units. You can use the same functions on the master device as described on pages 14-15 (Manual mode). This means that you can set your desired operation mode on the master device and all slave devices will react the same as the master device.

Multiple Titan Strobes (Master/Slave control)

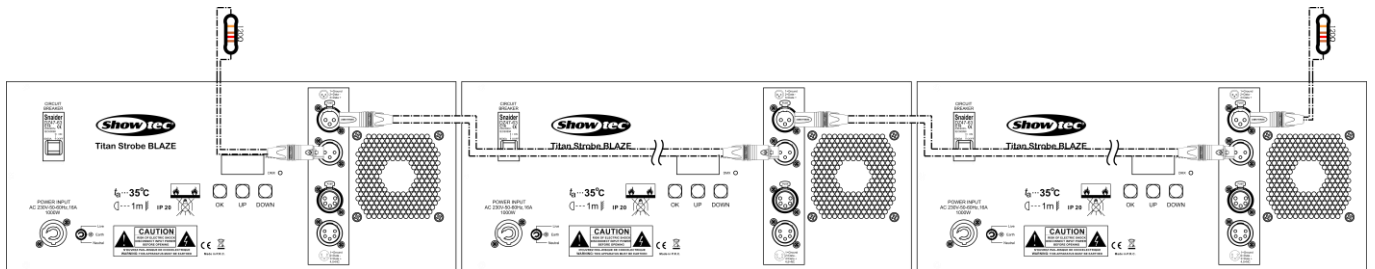
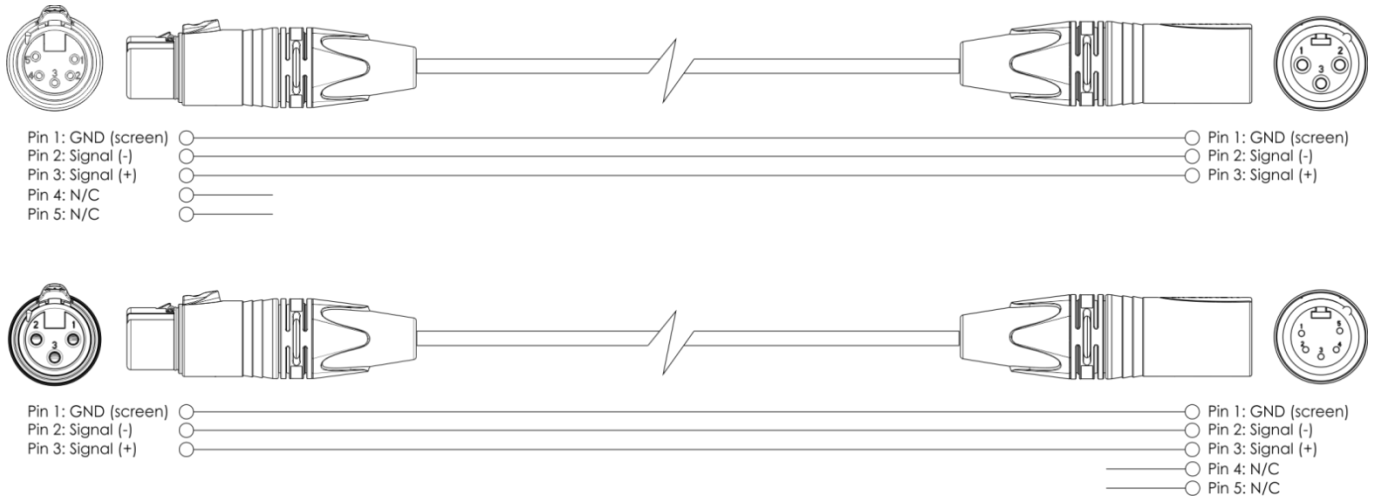


Fig. 03

Multiple Titan Strobes (DMX Control)

- 01) Fasten the effect light to a firm trussing. Leave at least 0,5 meter on all sides for air circulation.
- 02) Always use a safety cable (ordercode 70140 / 70141).
- 03) Use a 3-pin/5-pin XLR cable to connect the Titan Strobes and other devices.



- 04) Link the units as shown in fig. 04. Connect the first unit's DMX "out" socket with the second unit's "in" socket, using a DMX signal cable. Repeat this process to link the second, third, and fourth units.
- 05) Supply electric power: Plug electric mains power cords into each unit's Pro power socket, then plug the other end of the mains power cord into proper electric power supply sockets, starting with the first unit. Do not supply power before the whole system is set up and connected properly.

Multiple Titan Strobes DMX Set Up

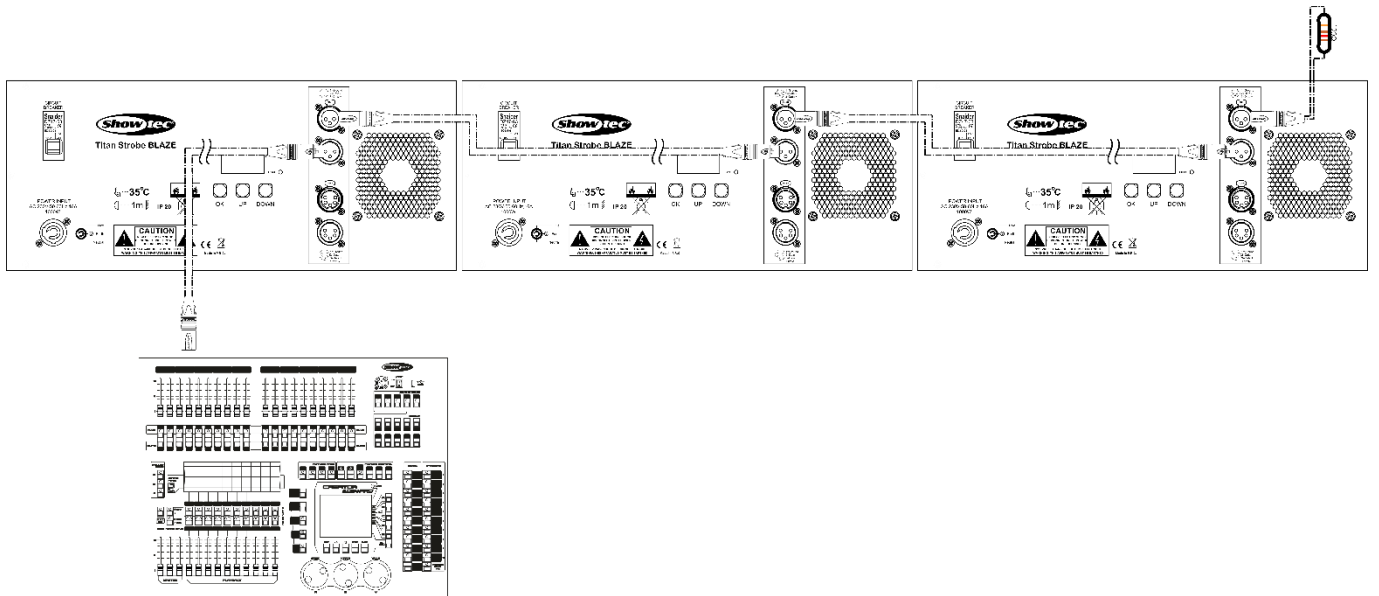



Fig. 04

Note : Link all cables before connecting electric power

Fixture Linking

You will need a serial data link to run light shows of one or more fixtures using a DMX-512 controller or to run synchronized shows of two or more fixtures set to a master/slave operating mode. The combined number of channels required by all the fixtures on a serial data link determines the number of fixtures the data link can support.

Important: Fixtures on a serial data link must be daisy-chained in a single line. To comply with the EIA-485 standard, no more than 30 devices should be connected on one data link. Connecting more than 30 fixtures on one serial data link without the use of a DMX optically isolated splitter may result in deterioration of the digital DMX signal.

 Maximum recommended DMX data link distance: 100 meters
Maximum recommended number of fixtures on a DMX data link: 30 fixtures
Maximum recommended number of fixtures on a power link @230V: 1 fixture

Data Cabling

To link fixtures together, you must obtain data cables. You can purchase DAP Audio certified DMX cables directly from a dealer/distributor or construct your own cable. If you choose to create your own cable, please use data-grade cables that can carry a high quality signal and are less prone to electromagnetic interference.

DAP Audio DMX Data Cables

- DAP Audio Basic microphone cable for allround use. bal. XLR/M 3-pin > XLR/F 3-pin. **Ordercode** FL01150 (1,5 m), FL013 (3 m), FL016 (6 m), FL0110 (10 m), FL0115 (15 m), FL0120 (20 m).
- DAP Audio X-type data cable XLR/M 3-pin > XLR/F 3-pin. **Ordercode** FLX0175 (0,75 m), FLX01150 (1,5 m), FLX013 (3 m), FLX016 (6 m), FLX0110 (10 m).
- DAP Audio cable for the demanding user with exceptional audio-qualities and connector made by Neutrik®. **Ordercode** FL71150 (1,5 m), FL713 (3 m), FL716 (6 m), FL7110 (10 m).
- DAP Audio cable for the demanding user with exceptional audio-qualities and connector made by Neutrik®. **Ordercode** FL7275 (0,75 m), FL72150 (1,5 m), FL723 (3 m), FL726 (6 m), FL7210 (10 m).
- DAP Audio 110 Ohm cable with digital signal transmission. **Ordercode** FL0975 (0,75 m), FL09150 (1,5 m), FL093 (3 m), FL096 (6 m), FL0910 (10 m), FL0915 (15 m), FL0920 (20 m).

The Titan Strobe BLAZE can be operated with a controller in **control mode** or without the controller in **stand-alone mode**.

Control Panel

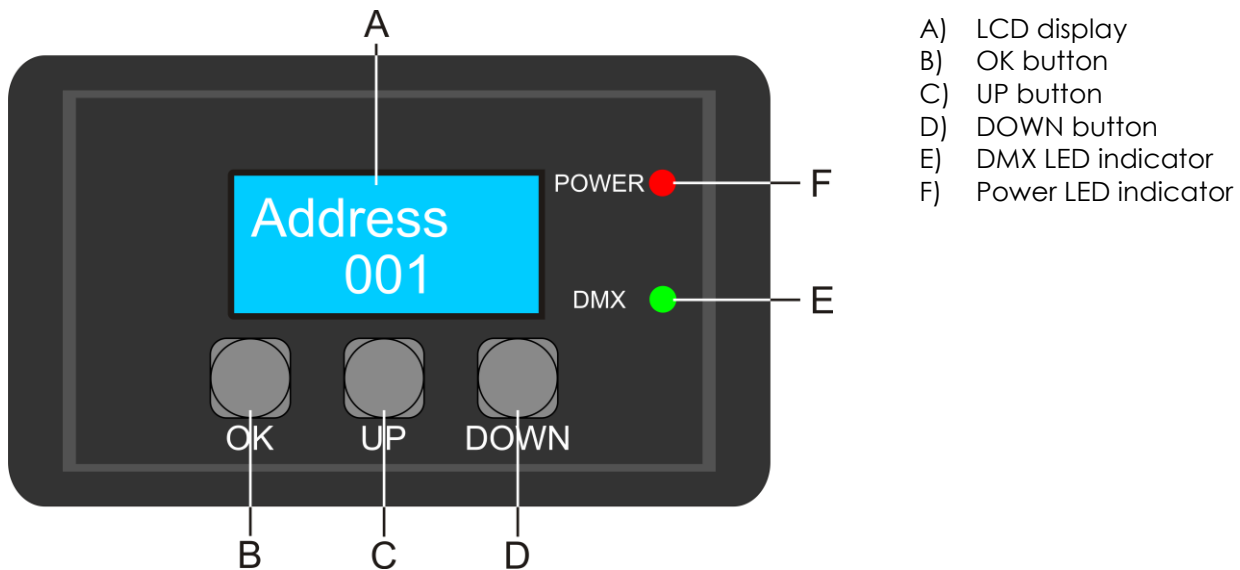


Fig. 05

Control Mode

The fixtures are individually addressed on a data-link and connected to the controller. The fixtures respond to the DMX signal from the controller. (When you select the DMX address and save it, the controller will display the saved DMX address, next time.)

DMX Addressing

The control panel on the front side of the base allows you to assign DMX fixture addresses, which is the first channel with which the Titan Strobe will respond to the controller.

Please note, when you use the controller, the unit has **9** channels.

When using multiple Titan Strobes, make sure you set the DMX addresses right.

Therefore, the DMX address of the first Titan Strobe should be **1(001)**; the DMX address of the second Titan Strobe should be **1+9=10 (010)**; the DMX address of the third Titan Strobe should be **10+9=19 (019)**, etc.

Please, be sure that you do not have any overlapping channels in order to control each Titan Strobe correctly. If two or more Titan Strobes are addressed similarly, they will work similarly.

Controlling:

After having addressed all Titan Strobe fixtures, you may now start operating these via your lighting controller.

Note: After switching on, the Titan Strobe will automatically detect whether DMX 512 data is received or not. If there is no data received at the DMX-input, the "LED" on the control panel will not flash.

If not, the problem may be:

- The XLR cable from the controller is not connected with the input of the Titan Strobe BLAZE.
- The controller is switched off or defective, the cable or connector is defective, or the signal wires are swapped in the input connector.

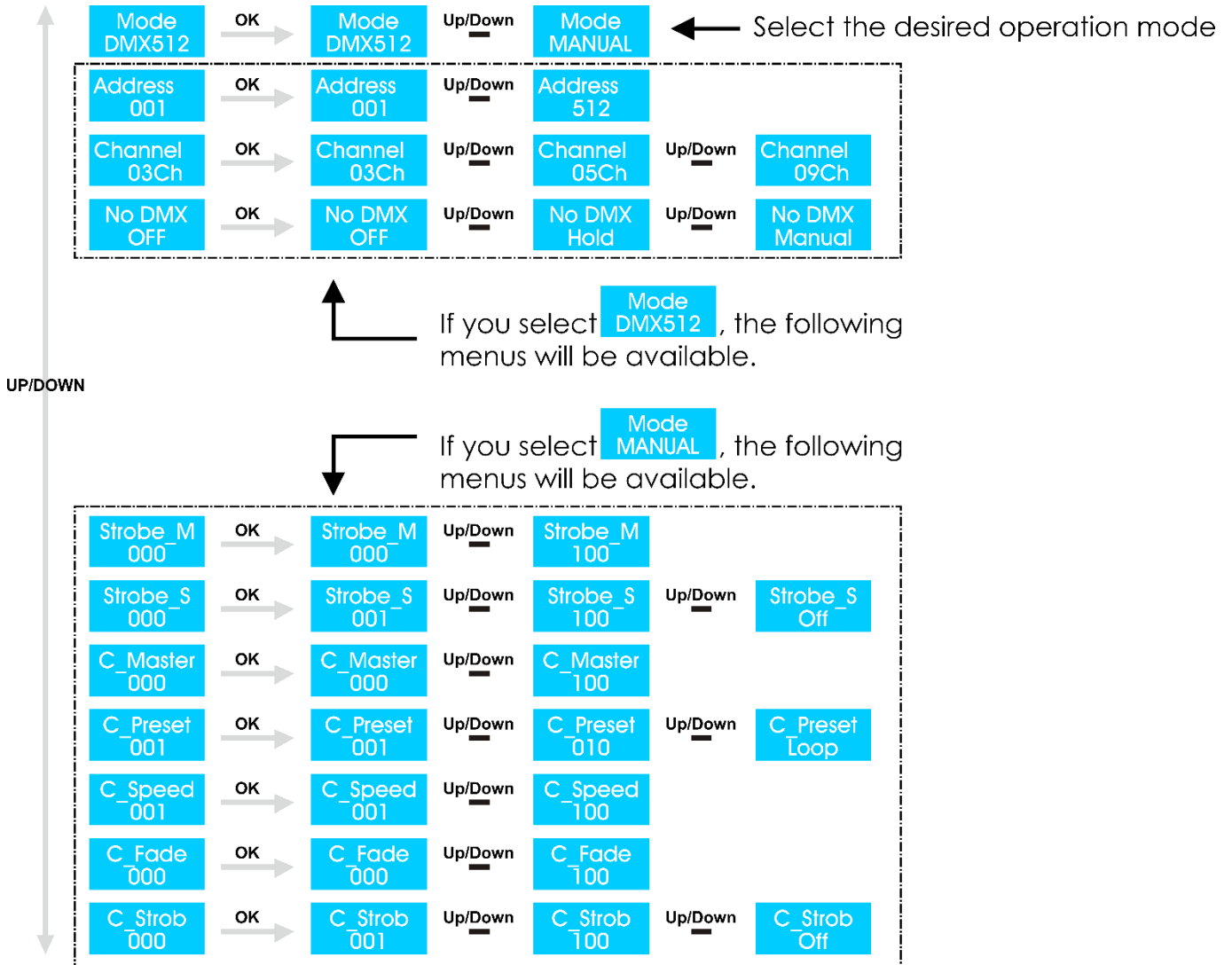
Note: It is necessary to insert an XLR termination plug (with 120 Ohm) in the last fixture in order to ensure proper transmission on the DMX data link.

Display Off after 30 seconds

When no button is pressed for 30 seconds, the display will turn off.

To light up the display, you have to press and hold down the OK, UP or DOWN button for 2 seconds. Once you have pressed the button, the display will light up.

Menu Overview



Main Menu Options


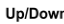

Mode DMX512	1. Operation modes
Address 001	2. DMX Address (DMX settings)
Channel 03Ch	3. Channel Modes (DMX settings)
No DMX OFF	4. DMX Error (DMX settings)
Strobe_M 000	5. Strobe Brightness (Manual mode)
Strobe_S 000	6. Strobe Frequency (Manual mode)
C_Master 000	7. LED Master Dimmer (Manual mode)
C_Preset 001	8. LED Color Macros (Manual mode)
C_Speed 001	9. LED Color Switch/Flow Speed (Manual mode)
C_Fade 000	10. LED Color Switch/Color Flow Settings (Manual mode)
C_Strob 000	11. LED Strobe Frequency (Manual mode)

1. Operation Modes

With this menu you can set the desired operation mode.


01) Press the **UP/DOWN** buttons until the display shows **MODE**.

02) Press the **OK** button to open the menu.

03) Press the **UP/DOWN** buttons to choose one of the 2 operation modes:    .

04) Press the **OK** button to confirm your choice.

05) If you have chosen  (DMX settings), read the instructions concerning the menus 2, 3 and 4 (pages 13-14).




06) If you have chosen  (Manual mode), read the instructions concerning the menus 5-11 (pages 14-15).

2. DMX Address (DMX Settings)

With this menu you can set the DMX address.

01) Press the **UP/DOWN** buttons until the display shows **ADDRESS**.

02) Press the **OK** button to open the menu. You can choose 512 different DMX addresses.

03) Press the **UP/DOWN** buttons to select the required address from    .

04) Press the **OK** button to confirm your choice.

3. Channel Modes (DMX Settings)

With this menu you can set the desired DMX channel mode.

01) Press the **UP/DOWN** buttons until the display shows **CHANNEL**.

02) Press the **OK** button to open the menu.

03) Press the **UP/DOWN** buttons to select one of the 3 channel modes:

     .

04) Press the **OK** button to confirm your choice.

4. DMX Error (DMX Settings)

With this menu you can determine what the Titan Strobe will do in case of a DMX signal error.

- 01) Press the **UP/DOWN** buttons until the display shows **NO DMX**.
- 02) Press the **OK** button to open the menu.
- 03) Press the **UP/DOWN** buttons to select one of the 3 modes:

No DMX
OFF

When a DMX signal error occurs, the light output will be blacked out.

No DMX
Hold

When a DMX signal error occurs, the Titan Strobe will use the last working DMX signal, ensuring an undisrupted performance.

No DMX
Manual

When a DMX signal error occurs, the Titan Strobe will switch to Manual mode.

- 04) Press the **OK** button to confirm your choice.

5. Strobe Brightness (Manual Mode)

With this menu you can set the brightness of the strobe.

- 01) Press the **UP/DOWN** buttons until the display shows **STROBE_M**.
- 02) Press the **OK** button to open the menu.
- 03) Press the **UP/DOWN** buttons to set the strobe brightness. The adjustment range is between

Strobe_M
000

Up/Down

Strobe_M
100

Up/Down

, from dark to brightest.

- 04) Press the **OK** button to save changes.

6. Strobe Frequency (Manual Mode)

With this menu you can set the frequency of the strobe.

- 01) Press the **UP/DOWN** buttons until the display shows **STROBE_S**.
- 02) Press the **OK** button to open the menu.
- 03) Press the **UP/DOWN** buttons to set the strobe frequency. The adjustment range is between

Strobe_S
001

Up/Down

Strobe_S
100

Up/Down

Strobe_S
Off

, from low to high frequency and OFF.

- 04) Press the **OK** button to save changes.

7. LED Master Dimmer (Manual Mode)

With this menu you can set the master dimmer of the LEDs.

- 01) Press the **UP/DOWN** buttons until the display shows **C_MASTER**.
- 02) Press the **OK** button to open the menu.
- 03) Press the **UP/DOWN** buttons to set the dimmer brightness. The adjustment range is between

C_Master
000

Up/Down

C_Master
100

Up/Down

, from dark to brightest.

- 04) Press the **OK** button to save changes.

8. LED Color Macros (Manual Mode)

With this menu you can set the desired color macro.

- 01) Press the **UP/DOWN** buttons until the display shows **C_PRESET**.
- 02) Press the **OK** button to open the menu.
- 03) Press the **UP/DOWN** buttons to choose one of the 10 color macros

C_Preset
001

Up/Down

C_Preset
010

.

- 04) If you select
- C_Preset
Loop
- 04) If you select , all 10 color macros will be displayed in a sequence.
 - 05) Press the **OK** button to confirm your choice.

9. LED Color Switch/Flow Speed (Manual Mode)

With this menu you can set the color switch/flow speed.

- 01) Press the **UP/DOWN** buttons until the display shows **C_SPEED**.
- 02) Press the **OK** button to open the menu.
- 03) Press the **UP/DOWN** buttons to set the color switch/flow speed. The adjustment range is between

C_Speed
001

Up/Down

C_Speed
100




Up/Down

, from slow to fast.

- 04) Press the **OK** button to save changes.






10. LED Color Switch/Color Flow Settings (Manual Mode)

With this menu you can set whether the Titan Strobe performs a color switch or a color flow.

- 01) Press the **UP/DOWN** buttons until the display shows **C_FADE**.
- 02) Press the **OK** button to open the menu.
- 03) Press the **UP/DOWN** buttons to set the settings. The adjustment range is between    , from full color switch to full color flow.
- 04) Press the **OK** button to save changes.

11. LED Strobe Frequency (Manual Mode)

With this menu you can set the frequency of the LED strobe.

- 01) Press the **UP/DOWN** buttons until the display shows **C_STROB**.
- 02) Press the **OK** button to open the menu.
- 03) Press the **UP/DOWN** buttons to set the strobe frequency. The adjustment range is between      , from low to high frequency and OFF.
- 04) Press the **OK** button to save changes.

DMX Channels

3 Channels

Channel 1 – Strobe dimmer

0-4	Not functional
5-255	From dark to brightest

Channel 2 – Strobe programs CH1 must be open.

0-4	Not functional
5-127	Linear strobe, from low to high frequency (1-15Hz)
128-255	Random strobe, from low to high frequency

Channel 3 – Color presets

0-9	Not functional
10-19	Red
20-29	Orange
30-39	Yellow
40-49	Green
50-59	Cyan
60-69	Blue
70-79	Pink
80-89	Magenta
90-131	Color program 1 (color switch), from slow to fast
132-173	Color program 2 (color switch), from slow to fast
174-215	Color program 3 (color flow), from slow to fast
216-255	Color program 4 (color flow), from slow to fast

5 Channels

Channel 1 – Strobe dimmer

0-4	Not functional
5-255	From dark to brightest

Channel 2 – Strobe frequency CH1 must be open.

0-4	Not functional
5-255	Strobe frequency, from low to high frequency

Channel 3 – Strobe mode CH1 and CH2 must be open.

0-129	Linear strobe, from low to high frequency (1-15Hz)
130-159	Blinder (25Hz)
160-189	Random flash
190-229	Lightning effect
230-255	Sync flash

Channel 4 – LED dimmer

0-255	From dark to brightest
-------	------------------------

Channel 5 – Color presets CH4 must be open.

0-9	Not functional
10-19	Red
20-29	Orange
30-39	Yellow
40-49	Green
50-59	Cyan
60-69	Blue
70-79	Pink
80-89	Magenta
90-131	Color program 1 (color switch), from slow to fast
132-173	Color program 2 (color switch), from slow to fast
174-215	Color program 3 (color flow), from slow to fast
216-255	Color program 4 (color flow), from slow to fast

9 Channels

Channel 1 – Strobe dimmer

0-4	Not functional
5-255	From dark to brightest

Channel 2 – Strobe frequency CH1 must be open.

0-4	Not functional
5-255	Strobe frequency, from low to high frequency

Channel 3 – Strobe mode CH1 and CH2 must be open.

0-129	Linear strobe, from low to high frequency (1-15Hz)
130-159	Blinder (25Hz)
160-189	Random flash
190-229	Lightning effect
230-255	Sync flash

Channel 4 – LED dimmer

0-255	From dark to brightest
-------	------------------------

Channel 5 – Red CH4 must be open, CH8 must be closed.

0-255	Gradual adjustment Red, from dark to brightest
-------	--

Channel 6 – Green CH4 must be open, CH8 must be closed.

0-255	Gradual adjustment Green, from dark to brightest
-------	--

Channel 7 – Blue CH4 must be open, CH8 must be closed.

0-255	Gradual adjustment Blue, from dark to brightest
-------	---

Channel 8 – Color presets CH4 must be open.

0-9	Not functional
10-19	Red
20-29	Orange
30-39	Yellow
40-49	Green
50-59	Cyan
60-69	Blue
70-79	Pink
80-89	Magenta
90-131	Color program 1 (color switch), from slow to fast
132-173	Color program 2 (color switch), from slow to fast
174-215	Color program 3 (color flow), from slow to fast
216-255	Color program 4 (color flow), from slow to fast

Channel 9 – LED Strobe frequency

CH4 and CH5-7 must be open, or CH4 and CH8 must be open.

0-4	Not functional
5-255	LED strobe frequency, from low to high frequency

Maintenance

The operator has to make sure that safety-related and machine-technical installations are to be inspected by an expert after every year in the course of an acceptance test.

The operator has to make sure that safety-related and machine-technical installations are to be inspected by a skilled person once a year.

The following points have to be considered during the inspection:

- 01) All screws used for installing the device or parts of the device have to be tightly connected and must not be corroded.
- 02) There may not be any deformations on housings, fixations and installation spots.
- 03) Mechanically moving parts like axles, eyes and others may not show any traces of wearing.
- 04) The electric power supply cables must not show any damages or material fatigue.

The Titan Strobe BLAZE requires almost no maintenance. However, you should keep the unit clean.

Otherwise, the fixture's light output will be significantly reduced. Disconnect the mains power supply, and then wipe the cover with a damp cloth. Do not immerse in liquid. Wipe lens clean with glass cleaner and a soft cloth. Do not use alcohol or solvents.

The front lens will require weekly cleaning, as smoke-fluid tends to build up residues, reducing the light output very quickly.

The cooling fans and the internal lenses should be cleaned monthly, with a soft brush.

Please clean internal components once a year with a light brush and vacuum cleaner.

Keep connections clean. Disconnect electric power, and then wipe the DMX and audio connections with a damp cloth. Make sure connections are thoroughly dry before linking equipment or supplying electric power.

Changing the Lamp

- 01) Disconnect mains power supply.
- 02) Follow directions for installing the lamp, page 7.



DANGEROUS: Leave the device disconnected for 15 minutes, before opening. Otherwise, you risk electrocution.



Replacing the Fuse

You do not have to replace the fuse on this device. The fuse is an automatic fuse. It means that in case of a power surge, short-circuit or inappropriate electrical power supply, you will only need to flip the switch on the rear, and the strobe will function as before. You may want to check why the problem occurred, so that you can prevent it in the future.

Troubleshooting

This troubleshooting guide is meant to help solve simple problems.

If a problem occurs, carry out the steps below in sequence until a solution is found. Once the unit operates properly, do not carry out following steps.

No Light

If the light effect does not operate properly, refer servicing to a technician.

Suspect four potential problem areas as: the power supply, the strobe, the LEDs, the fuse.

- 01) Power supply. Check if the unit is plugged into an appropriate power supply.
- 02) The strobe. Replace the lamp. See page 7 for installing the lamp.
- 03) The LEDs. Return the Titan Strobe to your Showtec dealer.
- 04) The fuse. See page 18 for replacing the fuse.
- 05) If all appears to be O.K., plug the unit in again.
- 06) If you are unable to determine the cause of the problem, do not open the Titan Strobe, as this may damage the unit and the warranty will become void.
- 07) Return the device to your Showtec dealer.

No Response to DMX

Suspect the DMX cable or connectors, a controller malfunction, a light effect DMX card malfunction.

- 01) Check the DMX setting. Make sure that DMX addresses are correct.
- 02) Check the DMX cable: Unplug the unit; change the DMX cable; then reconnect to electrical power. Try your DMX control again.
- 03) Determine whether the controller or light effect is at fault. Does the controller operate properly with other DMX products? If not, take the controller in for repair. If so, take the DMX cable and the light effect to a qualified technician.

Problem	Probable cause(s)	Remedy
One or more fixtures do not function at all	No power to the fixture.	<ul style="list-style-type: none"> Check if power is switched on and cables are plugged in.
	Internal fuse blown.	<ul style="list-style-type: none"> Flip the switch (circuit breaker).
Fixtures reset correctly, but all respond erratically or not at all to the controller.	The controller is not connected.	<ul style="list-style-type: none"> Connect controller.
	3-pin/5-pin XLR Out of the controller does not match XLR Out of the first fixture on the link (i.e. signal is reversed).	<ul style="list-style-type: none"> Install a phase reversing cable between the controller and the first fixture on the link.
Fixtures reset correctly, but some respond erratically or not at all to the controller.	Poor data quality	<ul style="list-style-type: none"> Check data quality. If much lower than 100 percent, the problem may be a bad data link connection, poor quality or broken cables, missing termination plug, or a defective fixture disturbing the link.
	Bad data link connection	<ul style="list-style-type: none"> Inspect connections and cables. Correct poor connections. Repair or replace damaged cables.
	Data link not terminated with 120 Ohm termination plug.	<ul style="list-style-type: none"> Insert termination plug in output jack of the last fixture on the link.
	Incorrect addressing of the fixtures.	<ul style="list-style-type: none"> Check address setting.
	One of the fixtures is defective and disturbs data transmission on the link.	<ul style="list-style-type: none"> Bypass one fixture at a time until normal operation is regained: unplug both connectors and connect them directly together. Have the defective fixture serviced by a qualified technician.
No light or lamp/LEDs cut out intermittently	3-pin/5-pin XLR Out on the fixtures does not match (pins 2 and 3 reversed).	<ul style="list-style-type: none"> Install a phase-reversing cable between the fixtures or swap pin 2 and 3 in the fixture, that behaves erratically.
	Fixture is too hot.	<ul style="list-style-type: none"> Allow fixture to cool. Clean fan. Make sure air vents are not blocked. Turn up the air conditioning.
	LEDs damaged	<ul style="list-style-type: none"> Disconnect fixture and return to your dealer.
	Lamp damaged	<ul style="list-style-type: none"> Replace the lamp.
	The power supply settings do not match local AC voltage and frequency.	<ul style="list-style-type: none"> Disconnect fixture. Check settings and correct if necessary.

Product Specifications

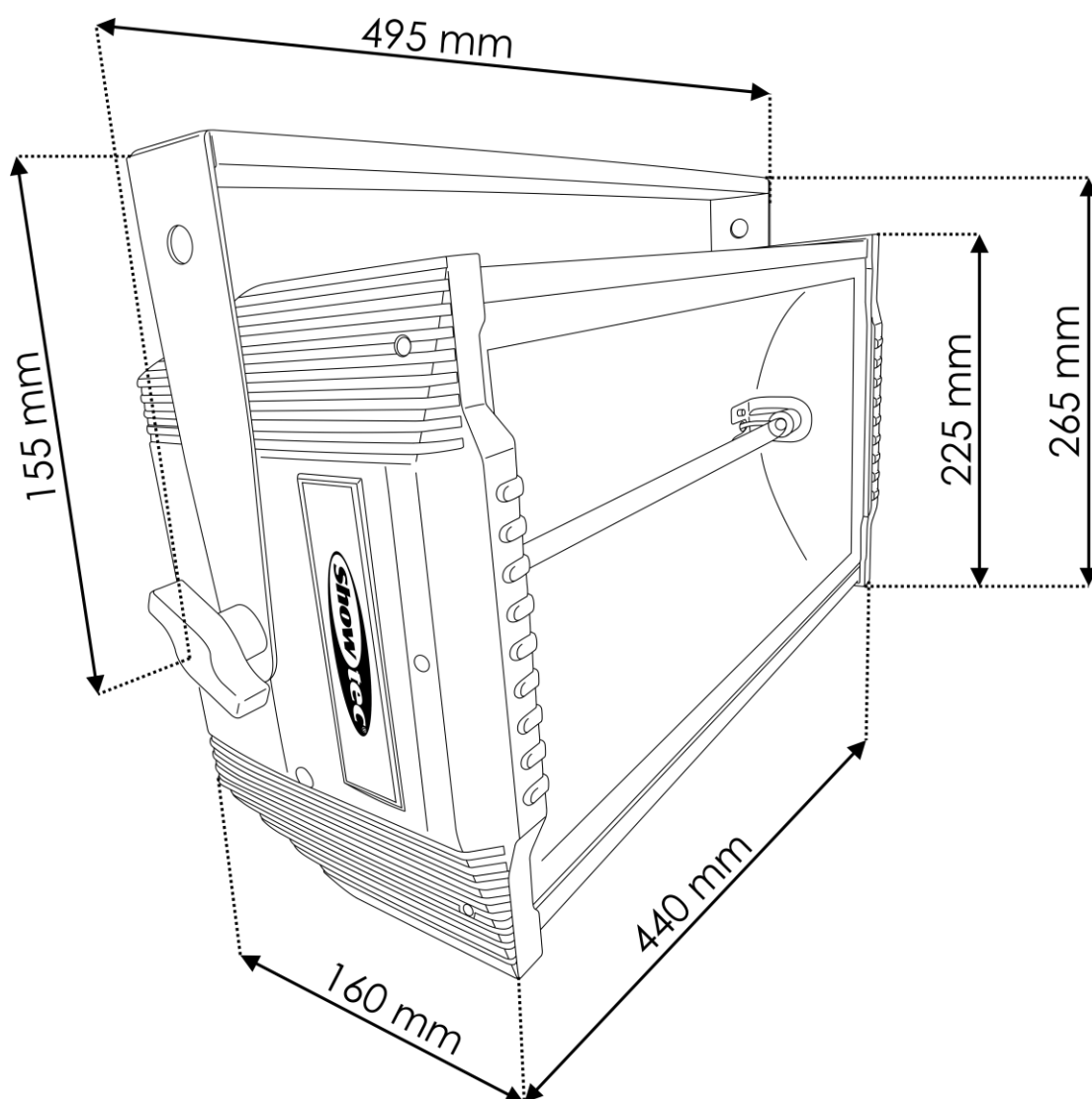
Model:	Showtec Titan Strobe BLAZE
Input voltage:	240V AC, 50/60Hz
Power consumption:	1800W (full output)
DMX linking:	30pcs
Dimensions:	495 x 160 x 265 mm (LxWxH)
Weight:	5,9 kg
Operating and Programming:	
Signal pin OUT:	Pin 1 (earth), pin 2 (-), pin 3 (+)
DMX Mode:	3, 5, 9 channels
Signal input:	3-pin/5-pin XLR IN
Signal output:	3-pin/5-pin XLR OUT
Electro-mechanical effects:	
Light source (strobe):	Xenon 1500W tube
Light source (blaze):	2 x RGB LED strip
Light output:	120,000 lm
Strobe (linear):	1-15Hz
Strobe (blinder):	25Hz
Housing:	Metal & flame-retardant plastic
Color:	Black
DMX control:	via standard DMX controller
Onboard:	LCD display for easy setup
Circuit breaker:	16A
Control:	Manual, Master/Slave, DMX-512/RDM
IP rating:	IP-20
Connections:	3-pin/5-pin XLR IN/OUT, Pro power connector Blue IN
Cooling:	Cooling fan
Max. ambient temperature t_a :	35°C
Max. housing temperature t_B :	115°C
Minimum distance:	
Minimum distance from flammable surfaces:	0,5 m
Minimum distance to lighted object:	1 m

Design and product specifications are subject to change without prior notice.



Website: www.Showtec.info
 Email: service@highlite.nl

Dimensions





©2017 Showtec