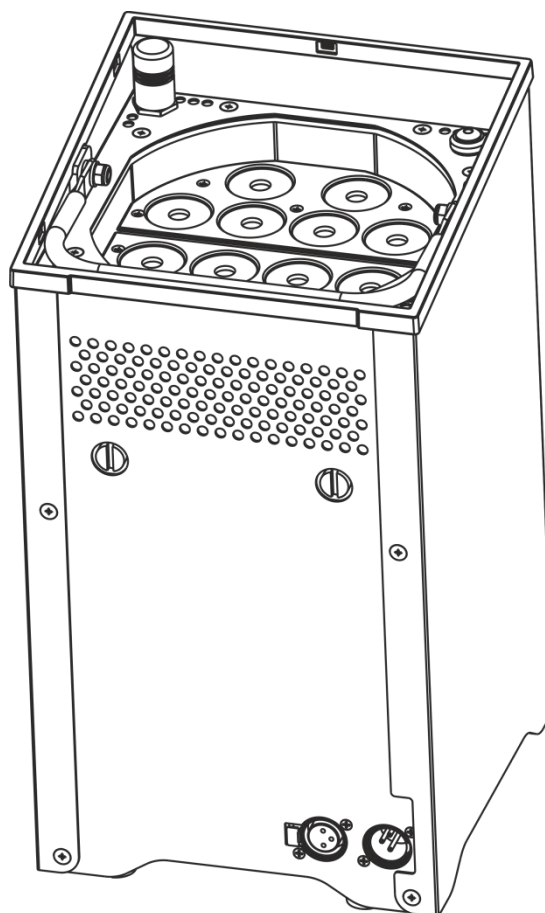




**MANUAL**



**ENGLISH**

# **Eventspot 1900 MKII V2**

**Ordercode: 42717**

**Table of contents**

**Warning** ..... 3

    Safety Instructions ..... 3

    Operating Determinations ..... 5

    Connection with the mains ..... 5

    Return Procedure ..... 6

    Claims ..... 6

**Description of the device** ..... 7

    Optional accessories ..... 7

    Overview ..... 9

**Installation** ..... 10

**Set Up and Operation** ..... 10

    Operating position ..... 10

    Charging the built-in battery ..... 11

    Control Modes ..... 11

        One Eventspot (Static colors) ..... 11

        One Eventspot (Built-in Programs) ..... 11

        Multiple Eventspots (Master/Slave control) ..... 11

        Multiple Eventspots (DMX Control) ..... 12

        Multiple Eventspots (Wireless DMX Control) ..... 13

        Connect the Eventspot 1900 MKII to the Wireless DMX signal transmitter ..... 16

        Disconnect from the Wireless DMX signal transmitter ..... 16

    Fixture Linking ..... 16

    Data Cabling ..... 16

    Control Panel ..... 17

    DMX Control Mode ..... 17

    DMX Addressing ..... 17

**Menu overview** ..... 18

    Main Menu Options ..... 20

    Creating a static color ..... 20

    Activating an Auto Program ..... 21

    DMX 512 Address ..... 21

    Run Mode ..... 22

    Personality ..... 22

    Changing the Settings ..... 23

        Uploading a program from the current master device ..... 23

        Restoring to factory settings ..... 23

        DIM mode setting ..... 23

        Color setting ..... 23

        Battery life setting ..... 23

        DMX error setting ..... 24

    Edit Custom ..... 24

    White Settings ..... 24

    Making a custom white color ..... 25

    WDMX Settings ..... 25

    Keylock settings ..... 25

**DMX Channels** ..... 26

    DMX Control TOUR ..... 26

    DMX Control ARC1 ..... 28

    DMX Control ARC1+D ..... 28

    DMX Control ARC1+S ..... 28

    DMX Control HSV ..... 29

    DMX Control BLOCK ..... 29

**Maintenance** .....30

**Troubleshooting** .....30

    No Light .....30

    No Response to DMX.....30

**Product Specifications** .....32

**Dimensions**.....33

**Notes** .....34

## Warning



**For your own safety, please read this user manual carefully  
before your initial start-up!**

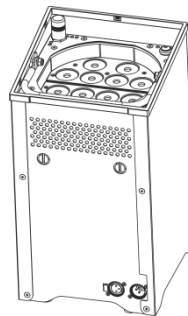


### Unpacking Instructions

Immediately upon receiving this product, carefully unpack the carton and check the contents to ensure that all parts are present, and have been received in good condition. Notify the dealer immediately and retain packing material for inspection if any parts appear to be damaged from shipping or the carton itself shows signs of mishandling. Save the carton and all packing materials. In the event that the fixture must be returned to the factory, it is important that the fixture be returned in the original factory box and packing.

### Your shipment includes:

- Eventspot 1900 MKII
- User manual



### LED Expected Lifespan

LEDs gradually decline in brightness over time. HEAT is the dominant factor that leads to the acceleration of this decline. Packaged in clusters, LEDs exhibit higher operating temperatures than in ideal or singular optimum conditions. For this reason when all color LEDs are used at their fullest intensity, life of the LEDs is significantly reduced. If improving the lifespan is of higher priority, place care in providing for lower operational temperatures. This may include climatic-environmental and the reduction of overall projection intensity.



### CAUTION!

**Keep this device away from rain and moisture!  
Unplug mains lead before opening the housing!**



### Safety Instructions

Every person involved with the installation, operation and maintenance of this device has to:

- be qualified
- follow the instructions of this manual



**CAUTION! Be careful with your operations.  
With a dangerous voltage you can suffer  
a dangerous electric shock when touching the wires!**



Before your initial start-up, please make sure that there is no damage caused by transportation. Should there be any, consult your dealer and do not use the device.

To maintain perfect condition and to ensure a safe operation, it is absolutely necessary for the user to follow the safety instructions and warning notes written in this manual.

Please consider that damages caused by manual modifications to the device are not subject to warranty.

This device contains no user-serviceable parts. Refer servicing to qualified technicians only.


**IMPORTANT:**

The manufacturer will not accept liability for any resulting damages caused by the non-observance of this manual or any unauthorized modification to the device.


- Never let the power cord come into contact with other cables! Handle the power cord and all connections with the mains with particular caution!
- Never remove warning or informative labels from the unit.
- Never use anything to cover the ground contact.
- Never place any material over the lens.
- Never look directly into the light source.
- Never leave any cables lying around.
- Do not insert objects into air vents.
- Do not connect this device to a dimmerpack.
- Do not switch the device on and off in short intervals, as this would reduce the device's lifespan.
- Do not touch the device's housing bare-handed during its operation. Allow the fixture to cool for at least 5 minutes before handling.
- Do not shake the device. Avoid brute force when installing or operating the device.
- Only use device indoor, avoid contact with water or other liquids.
- Only operate the fixture after having checked that the housing is firmly closed and all screws are tightly fastened.
- Only operate the device after having familiarized with its functions.
- Avoid flames and do not put close to flammable liquids or gases.
- Always keep case closed while operating.
- Always allow free air space of at least 50 cm around the unit for ventilation.
- Always disconnect power from the mains, when device is not used or before cleaning! Only handle the power cord by the plug. Never pull out the plug by tugging the power cord.
- Make sure that the device is not exposed to extreme heat, moisture or dust.
- Make sure that the available voltage is not higher than stated on the rear panel.
- Make sure that the power cord is never crimped or damaged. Check the device and the power cord from time to time.
- If the lens is obviously damaged, it has to be replaced to prevent its functions from being impaired, due to cracks or deep scratches.
- If device was dropped or struck, disconnect mains power supply immediately. Have a qualified engineer inspect for safety before operating.
- If the device has been exposed to drastic temperature fluctuation (e.g. after transportation), do not switch it on immediately. The arising condensation water might damage your device. Leave the device switched off until it has reached room temperature.
- If your Showtec device fails to work properly, discontinue use immediately. Pack the unit securely (preferably in the original packing material), and return it to your Showtec dealer for service.
- For adult use only. Device must be installed out of reach of children. Never leave the unit running unattended.
- Never attempt to bypass the thermostatic switch or fuses.
- For replacement, use fuses of same type and rating only.
- The user is responsible for correct positioning and operating of the Showtec Eventspot 1900 MKII.
- The manufacturer will not accept liability for damages caused by the misuse or incorrect installation of this device.
- This device falls under protection class I. Therefore it is essential to connect the yellow/green conductor to earth.
- Repairs, servicing and electrical connection must be carried out by a qualified technician.
- **WARRANTY:** Till one year after date of purchase.

**Note:** WARRANTY on batteries is only 6 months after date of purchase.

When your battery remains dead after fully charging or it doesn't function or doesn't charge anymore, you can order a new battery. The spare part number for the battery is SPRS0049.



**CAUTION! Eyedamages!!!**  
**Avoid looking directly into the lightsource!!!**  
**(meant especially for epileptics)!!!**



**Operating Determinations**


- This device is not designed for permanent operation. Regular operation breaks will ensure that the device will serve you for a long time without defects.
- The minimum distance between light-output and the illuminated surface must be bigger than 0,5 meter.
- The maximum ambient temperature  $t_a = 45^{\circ}\text{C}$  must never be exceeded.
- The relative humidity must not exceed 50 % with an ambient temperature of  $45^{\circ}\text{C}$ .
- If this device is operated in any other way than the one described in this manual, the product may suffer damages and the warranty becomes void.
- Any other operation may lead to dangers like short-circuit, burns, electric shock, crash etc.

You endanger your own safety and the safety of others!

Improper installation can cause serious injuries and/or damage of property!

**Connection with the mains**

Connect the device to the mains with the power plug.  
 Always check if the right color cable is connected to the right place.

International	EU Cable	UK Cable	US Cable	Pin
L	BROWN	RED	YELLOW/COPPER	PHASE
N	BLUE	BLACK	SILVER	NEUTRAL
	YELLOW/GREEN	GREEN	GREEN	PROTECTIVE GROUND

*Make sure that the device is always connected properly to the earth!*

*Improper installation can cause serious damage to people and property!*





### Return Procedure



Returned merchandise must be sent prepaid and in the original packing, call tags will not be issued. Package must be clearly labeled with a Return Authorization Number (RMA number). Products returned without an RMA number will be refused. Highlite will not accept the returned goods or any responsibility. Call Highlite 0031-455667723 or mail [aftersales@highlite.nl](mailto:aftersales@highlite.nl) and request an RMA prior to shipping the fixture. Be prepared to provide the model number, serial number and a brief description of the cause of the return. Be sure to properly pack fixture as any shipping damage resulting from inadequate packaging is the customer's responsibility. Highlite reserves the right to use its own discretion to repair or replace product(s). As a suggestion, proper UPS packing or double-boxing is always a safe method to use.

**Note: If you are given an RMA number, please include the following information on a piece of paper inside the box:**

- 01) Your name.
- 02) Your address.
- 03) Your phone number.
- 04) A brief description of the symptoms.

### Claims

The client has the obligation to check the delivered goods immediately upon delivery for any shortcomings and/or visible defects, or perform this check after our announcement that the goods are at their disposal. Damage incurred in shipping is the responsibility of the shipper; therefore the damage must be reported to the carrier upon receipt of merchandise.

It is the customer's responsibility to notify and submit claims with the shipper in the event that the fixture is damaged due to shipping. Transportation damage has to be reported to us within one day after receipt of the delivery.

Any return shipment has to be made post-paid at all times. Return shipments must be accompanied with a letter defining the reason for return shipment. Non-prepaid return shipments will be refused, unless agreed otherwise in writing.

Complaints against us must be made known in writing or by fax within 10 working days after receipt of the invoice. After this period, complaints will not be handled anymore.

Complaints will only be considered if the client has so far complied with all parts of the agreement, regardless of the agreement of which the obligation is resulting.

## Description of the device

---

### Features

The Eventspot 1900 MKII is a wireless LED Eventspot from Showtec.

- Input Voltage (battery charger): 100~240 VA, 50/60Hz
- Battery: Sealed Battery, 24 Ah
- Power consumption at full output: 45W
- LED: 12x 3-in-1 RGB LEDs
- Operating time at Full On: 12 hours at full RGB on
- Charging time: 12 hours
- Spare battery: SPRS0049
- Control: On-board: LED-Display for Auto, Static color with password protection
- Control Protocol: DMX512 via wireless/ DMX512
- Control Personality: Tour, Arc1, Arc1+D, Arc1+S, HSV, Block (12CH/ 3CH/ 4CH/ 5CH/ 3CH/ 6CH)
- Output (Lumens): 800+
- Output (Lux@2m): 2200+
- Maximum projection distance: 20m
- Dimmer: 0-100%
- Strobe: 0-20Hz
- Beam angle: 16 degrees
- Housing: Stainless steel
- IP rating: IP44 (temporary event)
- Fixture Connection: 3-pin XLR In and Out
- Cooling: Convection
- Lens Plate: Tempered glass
- Operation Temperature: -20°C ~45°C
- RGB color mixing
- 3 in 1 RGB LEDs combined with dedicated high class optics ensuring a bright and well defined beam
- Adjustable projection angle
- Dimensions: 199 x 199 x 361 mm (LxWxH)
- Weight: 14,2 Kg

**Note:** Knowledge of DMX is required to fully utilize this unit.

### Optional accessories

[42718](#) Flightcase for Eventspot 1900 MKII

[42719](#) Charger for Eventspot 1900 MKII

[50231](#) Wireless DMX transmitter

[50236](#) BlackBox F-1 G4 Transceiver

[50726](#) LED Operator 4 Air



## DMX Channel Summary

TOUR	Channel	Description
	1	Master Dimmer
	2	Module 1 red
	3	Module 1 green
	4	Module 1 blue
	5	Module 2 red
	6	Module 2 green
	7	Module 2 blue
	8	Color macro
	9	White
	10	Auto programs
	11	Auto speed adjustment
	12	Dimmer Speed

ARC1	Channel	Description
	1	Red
	2	Green
	3	Blue

ARC1+D	Channel	Description
	1	Master Dimmer
	2	Red
	3	Green
	4	Blue

ARC1+S	Channel	Description
	1	Master Dimmer
	2	Red
	3	Green
	4	Blue
	5	Strobe

HSV	Channel	Description
	1	Hue
	2	Saturation
	3	Value

BLOCK	Channel	Description
	1	Module 1 Red
	2	Module 1 Green
	3	Module 1 Blue
	4	Module 2 Red
	5	Module 2 Green
	6	Module 2 Blue

## Overview

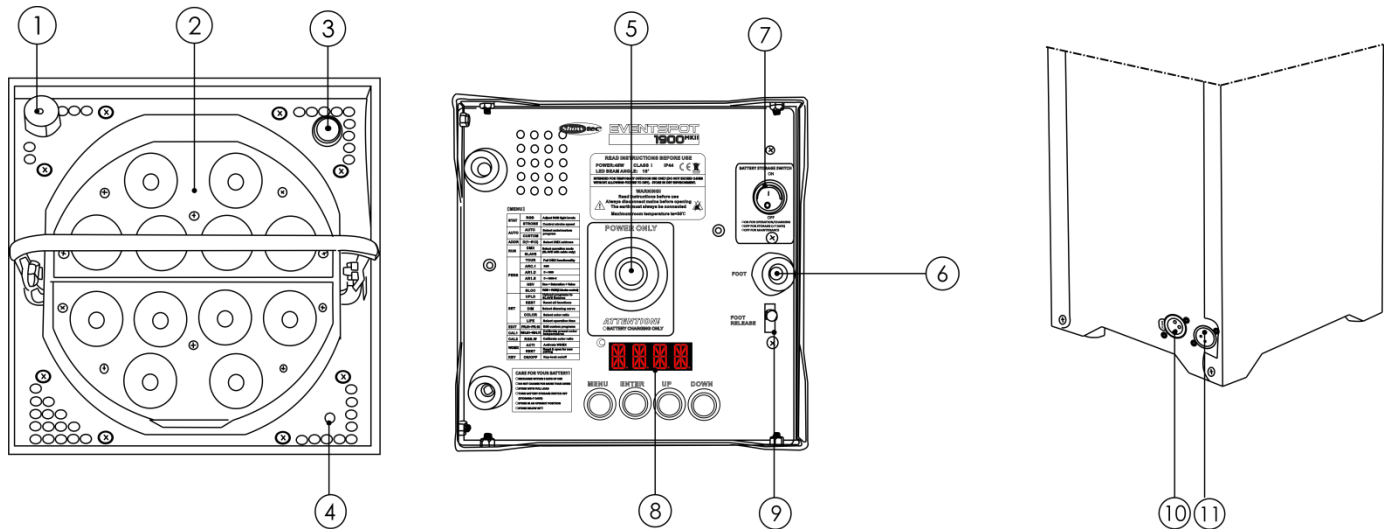


Fig. 01

- 01) Wireless DMX receiving antenna
- 02) 12x 3-in-1 RGB LEDs
- 03) Power on/off button + built-in LED.  
Push and hold the power button for 3 seconds to switch the Eventspot 1900 MKII on or off. If the battery needs to be charged, the LED will start blinking. If the battery is empty, the LED will dim.
- 04) Power LED
- 05) Battery charger socket
- 06) Height adjustable foot  
You can change the height of the Eventspot's foot (max inclination angle 10°), see page 10.
- 07) Power on/off switch  
Use this switch to switch the Eventspot off if you're not using the Eventspot for more than 7 days.
- 08) LED display + control buttons
- 09) Adjustable foot release handle
- 10) DMX signal connector (OUT) 3-pin
- 11) DMX signal connector (IN) 3-pin

## Installation

Remove all packing materials from the Eventspot 1900 MKII. Check that all foam and plastic padding is removed. Connect all cables.

**Do not supply power before the whole system is set up and connected properly.**

**Always disconnect from electric mains power supply before cleaning or servicing.**

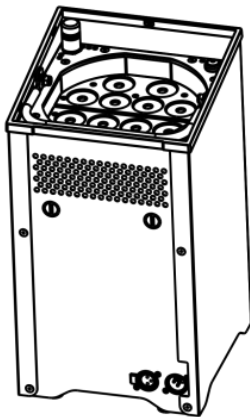
**Damages caused by non-observance are not subject to warranty.**

## Set Up and Operation

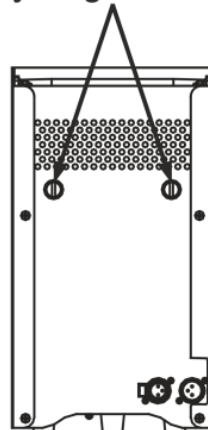
Before plugging the unit in, always make sure that the power supply matches the product specification voltage. Do not attempt to operate a 120V specification product on 230V power, or vice versa.

### Operating position

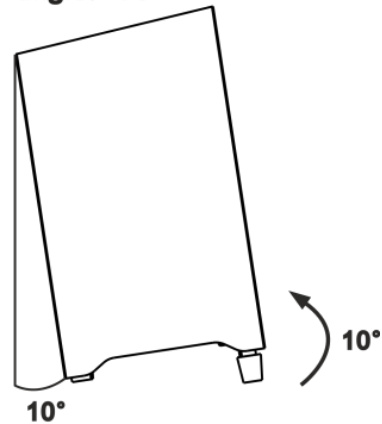
Upright operation



Adjust light direction



Adjust operating angle: 10°



### Incorrect operating angle

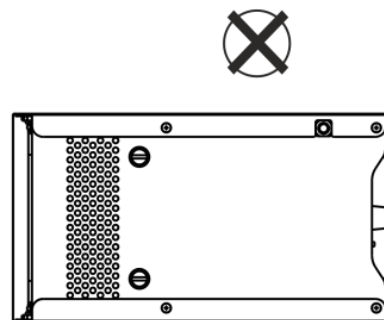
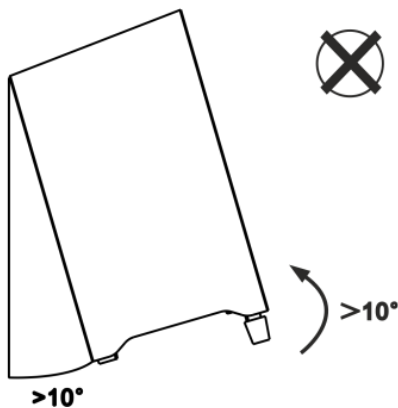


Fig. 02

## Charging the built-in battery

- 01) In order to charge the battery, you need either the optional [42719](#), charger for Eventspot 1900 MKII or the optional [42718](#) flightcase with built-in chargers.
- 02) Turn off the power.
- 03) Place the Eventspot on the charger.
- 04) While the battery is charging, the red LED in the **power on/off** button will light up.
- 05) When the battery is fully charged, the red LED in the **power on/off** button will dim.

### Important!

- Do not charge for more than 24 hours.
- Recharge within 3 days of use.
- When charging your Eventspot in the flightcase, make sure that the flightcase is open.
- Store with full load.
- Turn off the **power on/off** switch at the underside when storing for more than 7 days.
- Store in an upright position.

## Control Modes

There are 5 modes:

- Static colors (stand alone)
- Built-in programs (stand alone)
- Master/Slave
- DMX512
- Wireless DMX (W-DMX)

### One Eventspot (Static colors)

When the Eventspot 1900 MKII is not connected by a DMX-cable and Wireless DMX is switched off, it functions as a stand-alone device. See page 20 for more information about the manual mode.

### One Eventspot (Built-in Programs)

When the Eventspot 1900 MKII is not connected by a DMX-cable and Wireless DMX is switched off, it functions as a stand-alone device. See page 21 for more information about the built-in programs.

### Multiple Eventspots (Master/Slave control)

- 01) Use a 3-p XLR cable to connect the Eventspot and other devices.  
The pins:



1. Earth
2. Signal (-)
3. Signal (+)

- 02) Link the units as shown in (Fig. 03), connect a DMX signal cable from the first unit's DMX "out" socket to the second unit's "in" socket. Repeat this process to link the second, third, and fourth unit. You can use the same functions on the master device as described on page 20 and 21 (Static colors, Built-in Programs). This means you can set your desired operation mode on the master device and all slave devices will react the same as the master device.

### Multiple Eventspots (Master/Slave control)

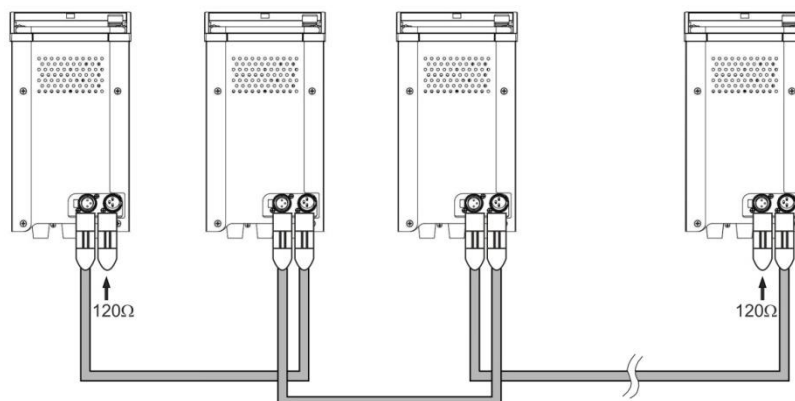
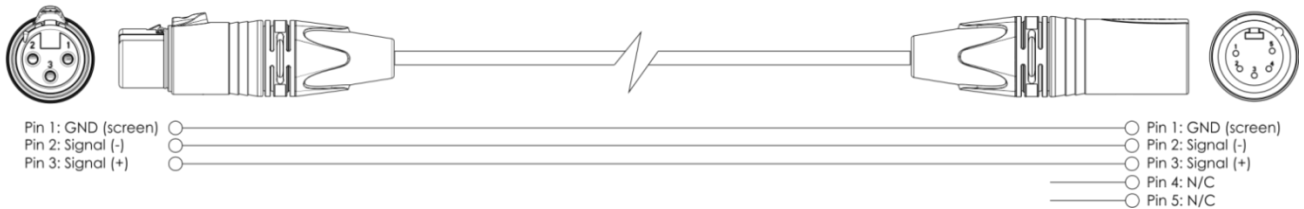
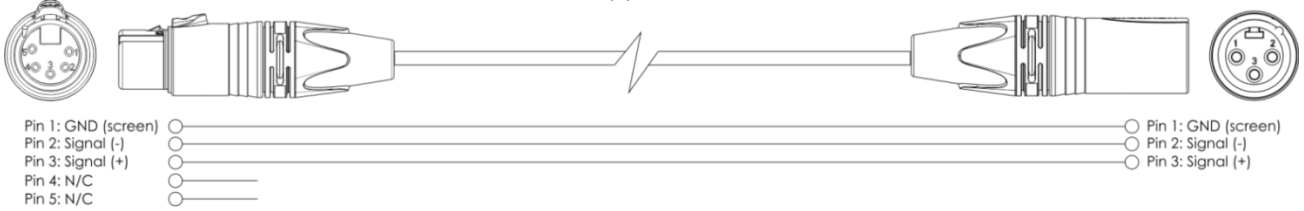


Fig. 03

## Multiple Eventspots (DMX Control)

Make sure, the Eventspot is not in WDMX mode. See page 25 for more details.

- 01) Leave at least 0,5 meter on all sides for air circulation
- 02) Use a 3-p XLR cable to connect the Eventspot(s) and other devices.



- 03) Link the units as shown in (figure 04), connect a DMX signal cable from the first unit's "out" socket to the second unit's "in" socket. Repeat this process to link the second, third, and fourth units. This means that you can set your desired operation mode on the master device and all slave devices will react the same as the master device.

## Multiple Eventspots DMX Set Up with individual DMX addressing

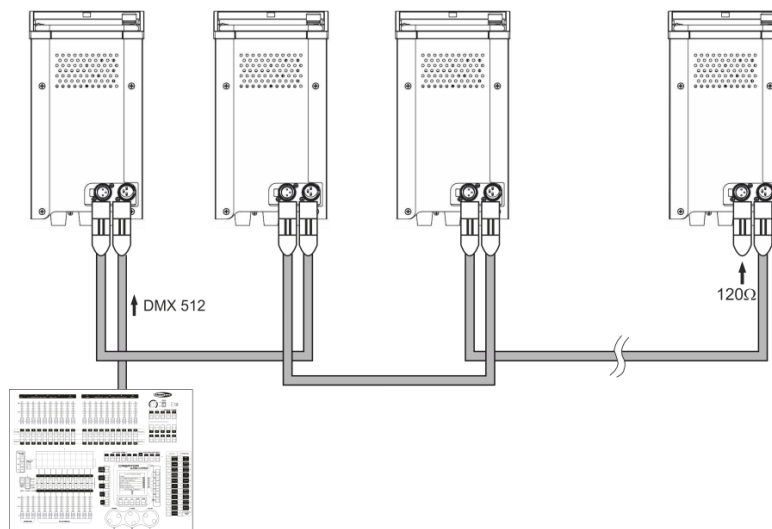


Fig. 04

The Eventspot 1900 MKII has a total of 6 DMX channel configurations, referred as **Personalities**. The 6 **Personalities** are TOUR, ARC1, ARC1+D,ARC1+S, HSV and BLOCK. Each of the different personalities can be accessed from the control panel.

### Multiple Eventspots (Wireless DMX Control)

Make sure, the Eventspot is in **WDMX** mode. Set the **WDMX** to ON. For more information, please see page 25 for more details.

### Sweden 2.4GHz Wireless communication module

Communication distance:	depending on the transmitting power or transmitter module
Test conditions:	W-DMX TRx Transmitter module, 2dBi Antenna, transmitting power 20dBm (100mW)
Range indoor:	60m (approx. through three concrete walls)
Range outdoor:	250m

### Wireless DMX connection

The wireless receiving module "Pico G4 Receiver, 2.4GHz", provided by Swedish WIRELESS SOLUTION, only has a 2.4 GHz wireless signal receiving function. In order to match the wireless signal, please use the Wireless DMX Micro Transmitter/ Black Box F-1 G4 MK2 by WIRELESS SOLUTION ([50231](#)/[50236](#)). To control the status of the wireless communication, please look at the green LED indicator light on the left side of the display.

### Wi-fi Problems:

- 01) No emitter/sender matching.  
The LED Indicator dims for a long period of time.
- 02) Matching signal with one emitter, but loss of signal communication.  
The LED Indicator light will light up for 100ms and then dim for 100ms; The LED will flicker quickly.
- 03) Communication with an emitter, but no DMX data.  
The LED Indicator will light up for 900ms and then dim for 100ms; The LED will flicker slowly.

When the wireless DMX communication is normal, the LED indicator will always be on.



**The Eventspot 1900 MKII cannot receive a wireless DMX signal and a DMX cable signal at the same time**



When the device is in the manual mode or built-in program mode, please ensure that the matching 2.4GHz wireless signal transmitter is OFF.



The Eventspot 1900 MKII is only a WDMX receiver and never a WDMX sender

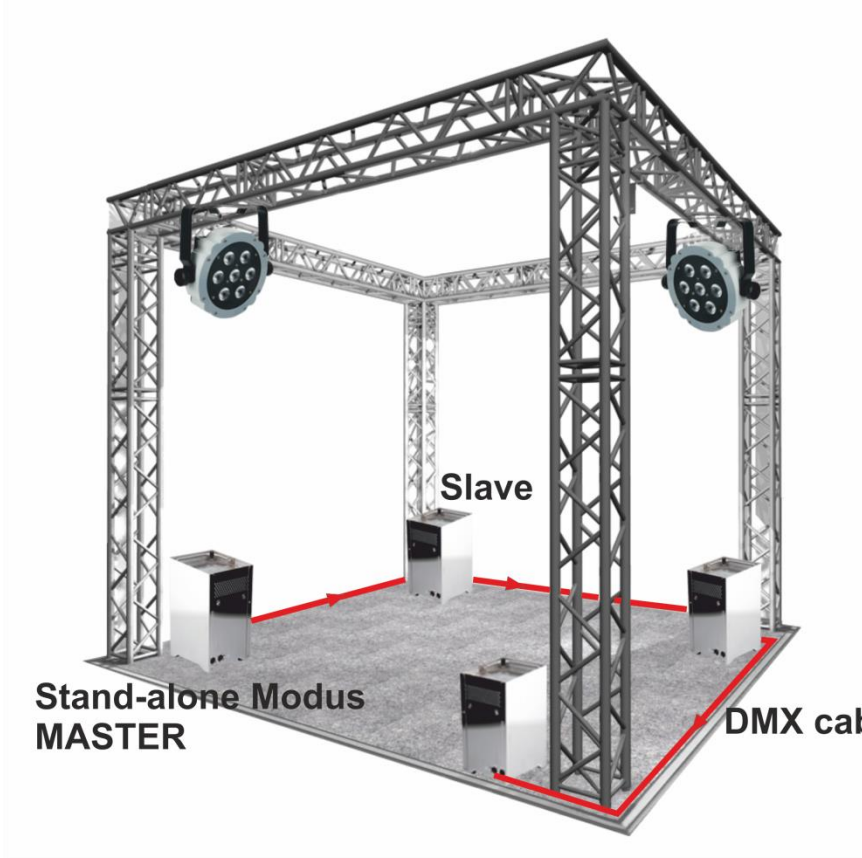


Fig. 05

**Example (Fig. 05):**

In Manual Mode and the Built-in program mode, the Eventspot 1900 MKII cannot send a signal to another Eventspot 1900 MKII wirelessly!!

In one of these modes, the slave Eventspot 1900 MKII fixtures must always be connected via a DMX signal cable.

When the Eventspot 1900 MKII operates in DMX or SLAVE mode, the Eventspot 1900 MKII can receive a Wireless DMX signal (CH1-512) and at the same time it can also sent out a DMX signal through a DMX cable.



The Eventspot 1900 MKII is only a WDMX receiver and never a WDMX sender



Fig. 06

**Example (Fig. 06):**

The Showtec Operator Air ([50726](#)) sends out a wireless signal with 512 channels and the Eventspot 1900 MKII picks up this signal. It uses the first 4 channels for its own setup and sends the rest of the channels through a DMX cable to the other Compact Pars 7 ([42580](#)).

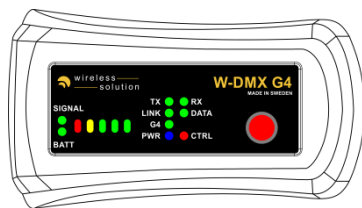


## Connect the Eventspot 1900 MKII to the Wireless DMX signal transmitter

The Eventspot 1900 MKII cannot actively match a random wireless signal transmitter.

In order to create a Wireless match, please check the manual of your wireless signal transmitter.

We advise you to use the Wireless DMX Micro Transmitter/ Black Box F-1 G4 MK2 by WIRELESS SOLUTION (Fig. 07).



Ordercode 50231

Fig. 07

## Disconnect from the Wireless DMX signal transmitter

The Eventspot 1900 MKII can be disconnected from the wireless DMX signal transmitters.

You can turn off the W-DMX in the main menu, see page 25 for more information.

## Fixture Linking

You will need a serial data link to run light shows of one or more fixtures using a DMX-512 controller or to run synchronized shows on two or more fixtures set to a master/slave operating mode. The combined number of channels required by all the fixtures on a serial data link determines the number of fixtures the data link can support. The Eventspot 1900 MKII uses up to 12 channels.

**Important:** Fixtures on a serial data link must be daisy chained in one single line. To comply with the EIA-485 standard no more than 30 devices should be connected on one data link. Connecting more than 30 fixtures on one serial data link without the use of a DMX optically isolated splitter may result in deterioration of the digital DMX signal.  
 Maximum recommended DMX data link distance: 100 meters  
 Maximum recommended number of LED Fixtures on a DMX data link: 30 fixtures  
 @220V: 12 units may be connected in series  
 @120V: 6 units may be connected in series



## Data Cabling

To link fixtures together you must obtain data cables. You can purchase DAP Audio certified DMX cables directly from a dealer/distributor or construct your own cable. If you choose to create your own cable please use data-grade cables that can carry a high quality signal and are less prone to electromagnetic interference.

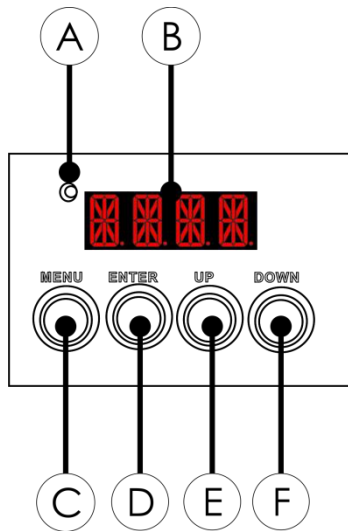
### DAP Audio DMX Data Cables

- DAP Audio Basic microphone cable for allround use. bal. XLR/M 3-pin > XLR/F 3-pin. **Ordercode** FL01150 (1,5 m), FL013 (3 m), FL016 (6 m), FL0110 (10 m), FL0115 (15 m), FL0120 (20 m).
- DAP Audio X-type data cable XLR/M 3-pin > XLR/F 3-pin. **Ordercode** FLX0175 (0,75 m), FLX01150 (1,5 m), FLX013 (3 m), FLX016 (6 m), FLX0110 (10 m).
- DAP Audio cable for the demanding user with exceptional audio-qualities and connector made by Neutrik®. **Ordercode** FL71150 (1,5 m), FL713 (3 m), FL716 (6 m), FL7110 (10 m).
- DAP Audio cable for the demanding user with exceptional audio-qualities and connector made by Neutrik®. **Ordercode** FL7275 (0,75 m), FL72150 (1,5 m), FL723 (3 m), FL726 (6 m), FL7210 (10 m).
- DAP Audio 110 Ohm cable with digital signal transmission. **Ordercode** FL0975 (0,75 m), FL09150 (1,5 m), FL093 (3 m), FL096 (6 m), FL0910 (10 m), FL0915 (15 m), FL0920 (20 m).
- DAP Audio DMX adapter: 3-pin/5-pin. **Ordercode** FLA30.

### DMX Control Mode

The fixtures are individually addressed on a data-link and connected to the controller. When a DMX signal is present, a “point” behind the last digit will blink. The fixtures respond to the DMX signal from the controller.

### Control Panel



- A).WDMX indicator LED
- B). Display
- C).Menu Button
- D).Enter Button
- E). Up Button
- F). Down Button

Fig.08

### DMX Addressing

The control panel on the front side of the base allows you to assign the DMX fixture address, which is the first channel from which the Eventspot will respond to the controller. Please note when you use the controller, the unit has up to **12** channels (in TOUR mode).

When using multiple Eventspots in **TOUR mode**, make sure you set the DMX addresses right. Therefore, the DMX address of the first Eventspot should be **1(d001)**; the DMX address of the second Eventspot should be **1+12=13 (d013)**; the DMX address of the third Eventspot should be **13+12=25 (d025)**, etc. Please, be sure that you don't have any overlapping channels in order to control each Eventspot correctly. If two or more Eventspots are addressed similarly, they will work similarly.

**Controlling:** After having addressed all Eventspots, you may now start operating these via your lighting controller.

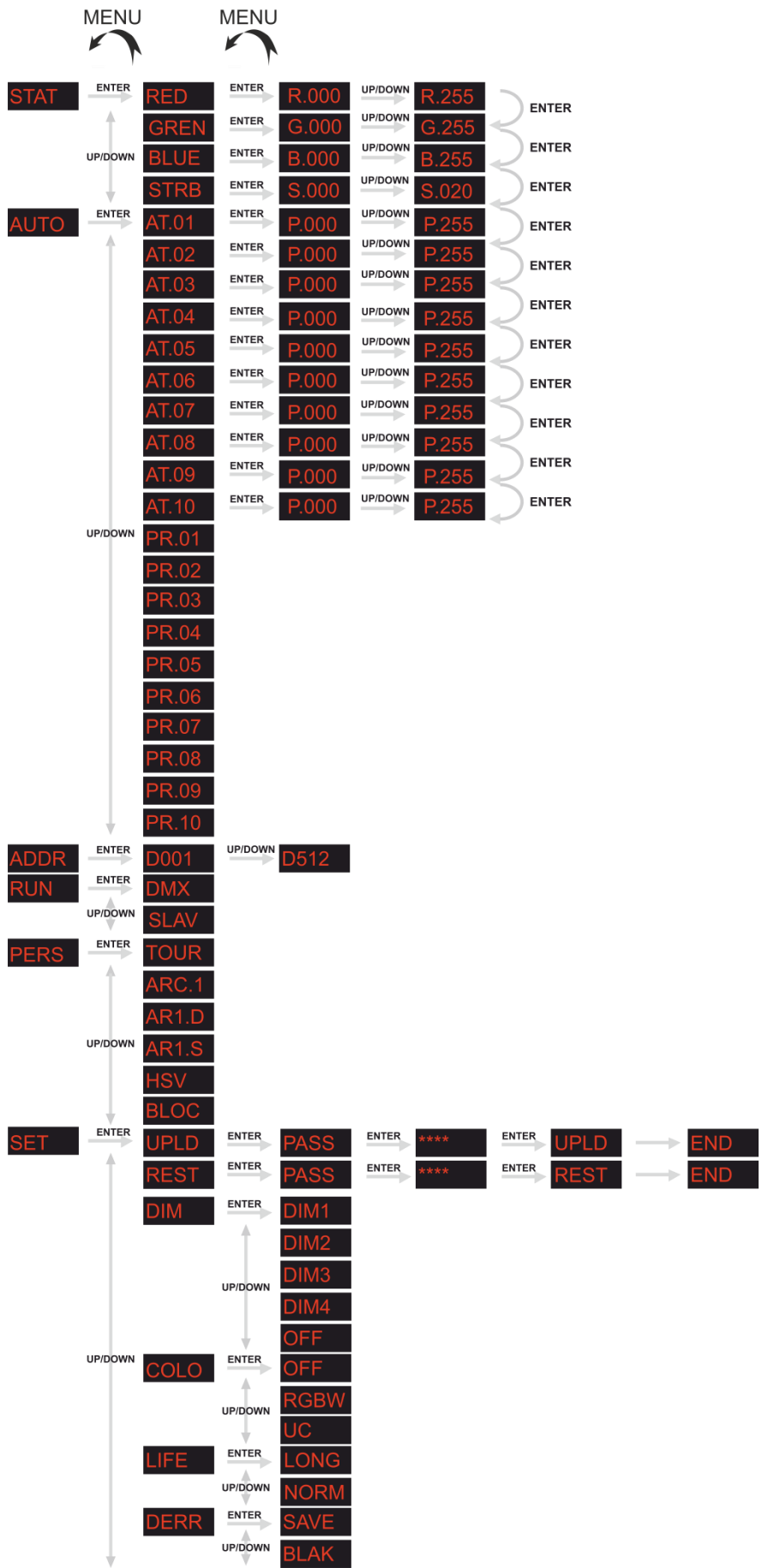
**Note:** After switching on, the Eventspot will automatically detect whether DMX 512 data is received or not. If there is no data received at the DMX-input, the “point” behind the last digit will dim.

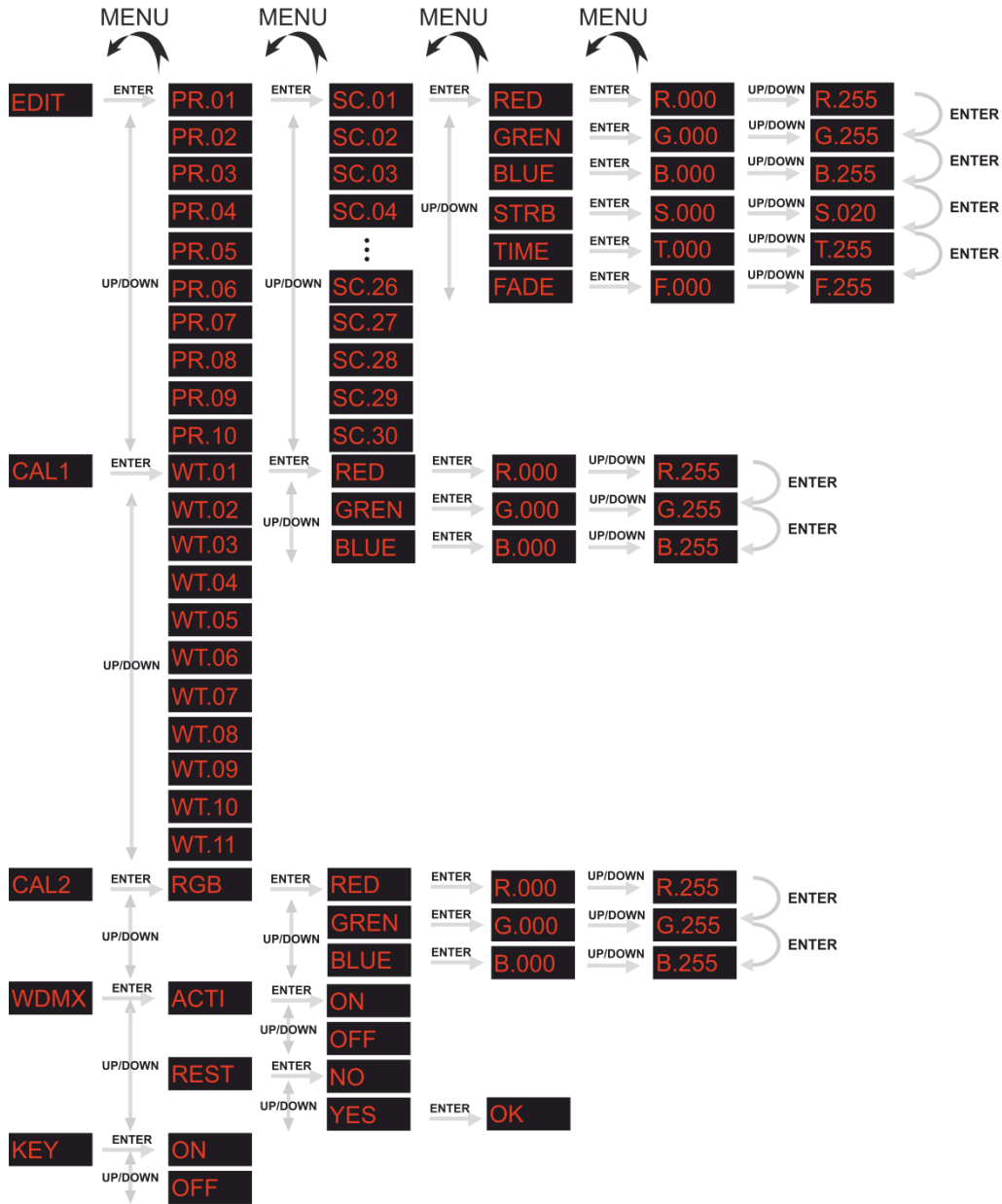
The problem may be:

- The XLR cable from the controller is not connected with the input of the Eventspot.
- The controller is switched off or defective, the cable or connector is defective, or the signal wires are swapped in the input connector.

**Note:** It's necessary to insert a XLR termination plug (with 120 Ohm) in the last fixture in order to ensure proper transmission on the DMX data link.

# Menu overview





## Main Menu Options

Press the **UP** and **DOWN** buttons or the **MENU** button to navigate through the 11 menus

STAT

AUTO

ADDR

RUN

PERS

SET

EDIT

CAL1

CAL2

WDMX

KEY

## Creating a static color



- 01) Select the **STAT** menu and press the **ENTER** button.
- 02) Press the **UP** and **DOWN** buttons to change the static colors (Red, Green, Blue) or the strobe speed (0-20Hz).
- 03) Press the **MENU** button to go 1 step back.

### Red

Set the value of the red LEDs (0-255).

### Blue

Set the value of the blue LEDs (0-255).

### Green

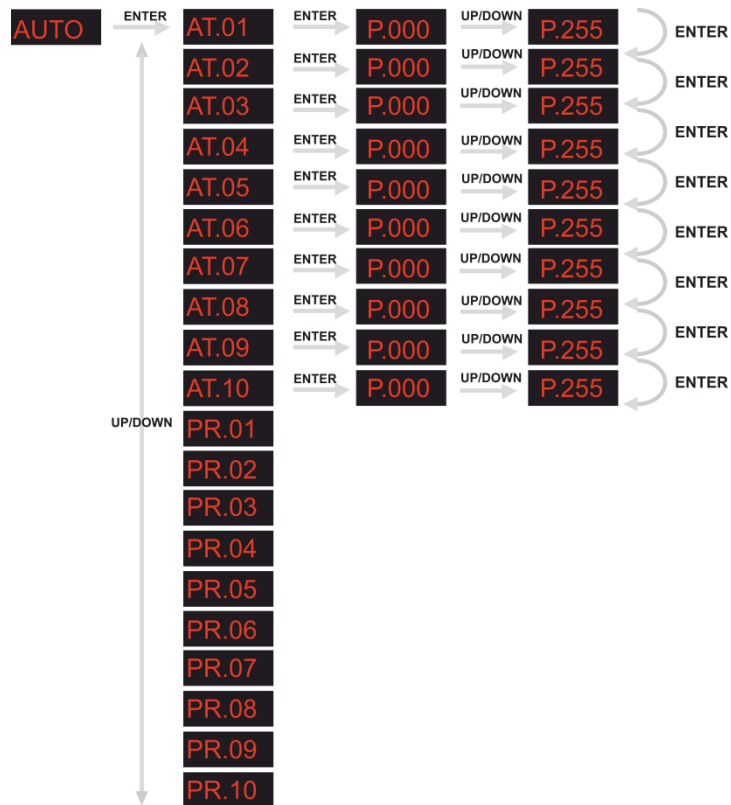
Set the value of the green LEDs (0-255).

### Strobe

Set the value of the flash (0-20Hz).

You can combine RED, GREEN and BLUE to create an infinite range of colours (0-255).

## Activating an Auto Program



- 01) Select the **AUTO** menu and press the **ENTER** button.
- 02) Press the **UP** and **DOWN** buttons to select an auto program (AT.01-10) or a custom program (PR.01-10).
- 03) Press **ENTER** after selecting the desired auto program. You can set the auto speed of the 10 built-in programs between 000-255. You can also edit 10 custom programs, for more information see page 24 (**Edit Custom**).

## DMX 512 Address



- 01) Select the **ADDR** menu and press the **ENTER** button.
- 02) Press the **UP** and **DOWN** buttons to set the DMX address.
- 03) You can choose your DMX address between D001-D512.

## Run Mode



- 01) Select the **RUN** menu and press the **ENTER** button.
- 02) Press the **UP** and **DOWN** buttons to select the desired working mode:

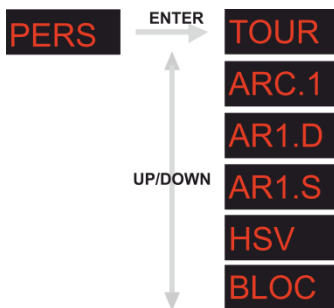
- DMX mode is used when working with a DMX512 controller to control the Eventspot or use the Eventspot as master during a Master –Slave operation.
- SLAVE mode is for using the device as a slave during a Master-Slave operation.



**When the fixtures are in Auto program operation, the RUN MODE does not work.**



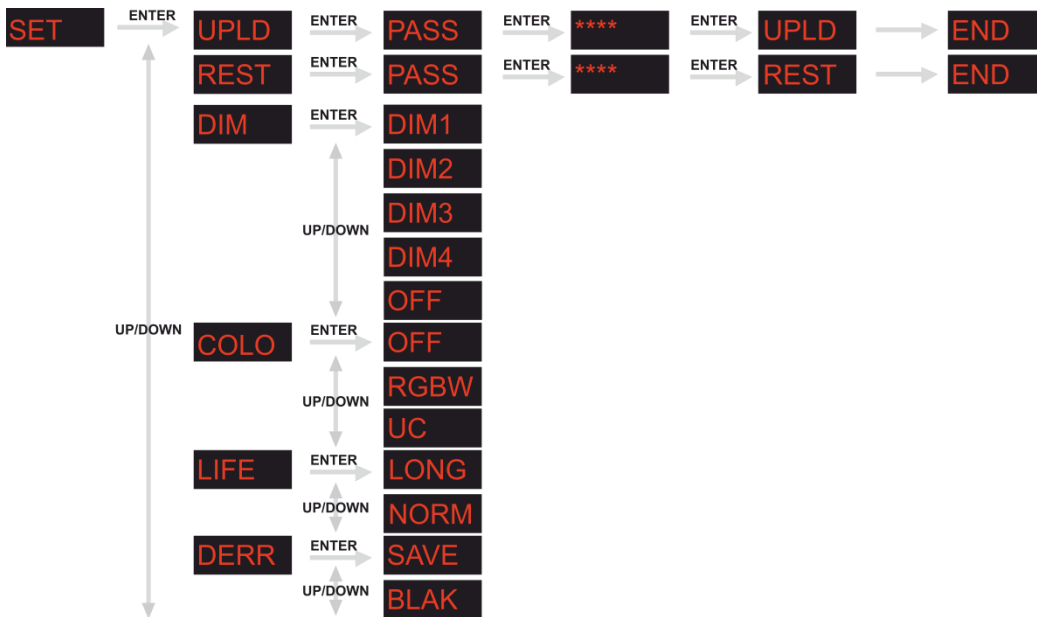
## Personality



- 01) Select the **PERS** menu and press the **ENTER** button.
- 02) Press the **UP** and **DOWN** buttons to select a DMX mode:

<b>TOUR:</b>	12 channels
<b>ARC1:</b>	3 channels
<b>AR1+D:</b>	4 channels
<b>AR1+S:</b>	5 channels
<b>HSV:</b>	3 channels
<b>BLOCK</b>	6 channels

## Changing the Settings



### Uploading a program from the current master device

- 01) Select the **SET** menu and press the **ENTER** button.
- 02) Press the **UP** and **DOWN** buttons to select the **UPLD** menu in the master device.
- 03) Press the **ENTER** button, now the display will show **PASS**.
- 04) Enter the password by pressing **UP-> DOWN -> UP-> DOWN**.
- 05) Press the **ENTER** button to start uploading. While uploading, the display will show **SEND**.
- 06) When the system is finished uploading, the display will show **END**.

### Restoring to factory settings

- 01) Press the **UP** and **DOWN** buttons to select the **REST** menu.
- 02) Press the **ENTER** button, now the display will show **PASS**.
- 03) Enter the password by pressing **UP-> DOWN -> UP-> DOWN**.
- 04) Press the **ENTER** button to restore the device to the factory settings.
- 05) When the system is finished the display will show **END**.

### DIM mode setting

- 01) Press the **UP** and **DOWN** buttons to select the **DIMX** menu. Press the **ENTER (D)** button.
- 02) Press the **UP** and **DOWN** buttons to select **DIM1 - DIM4** or **OFF**:
- 03) When DMXW is set to **OFF**, the **RGBW** dimmer and the **master** dimmer are linear. **DIM1-4** are speed modes of the non-linear dimmer. **DIM1** is the fastest and **DIM4** is the slowest. The **DIMX** setting has no effect in **TOUR** mode.

### Color setting

- 01) Press the **UP** and **DOWN** buttons to select the **COLO** menu. Press the **ENTER** button.
- 02) Press the **UP** and **DOWN** buttons to select **OFF, RGBW, UC**:
  - OFF:** On RGB = 255,255,255, the RGB values are not adjusted and the output is most powerful.
  - RGBW:** On RGB = 255, 255, 255. The color is displayed as you have calibrated the specific color in menu **CAL2->RGBW**.
  - UC:** RGB output is adjusted to a standard preset universal color. This way, different versions of Eventspot 1900 MKII's are color balanced to match each other.

### Battery life setting

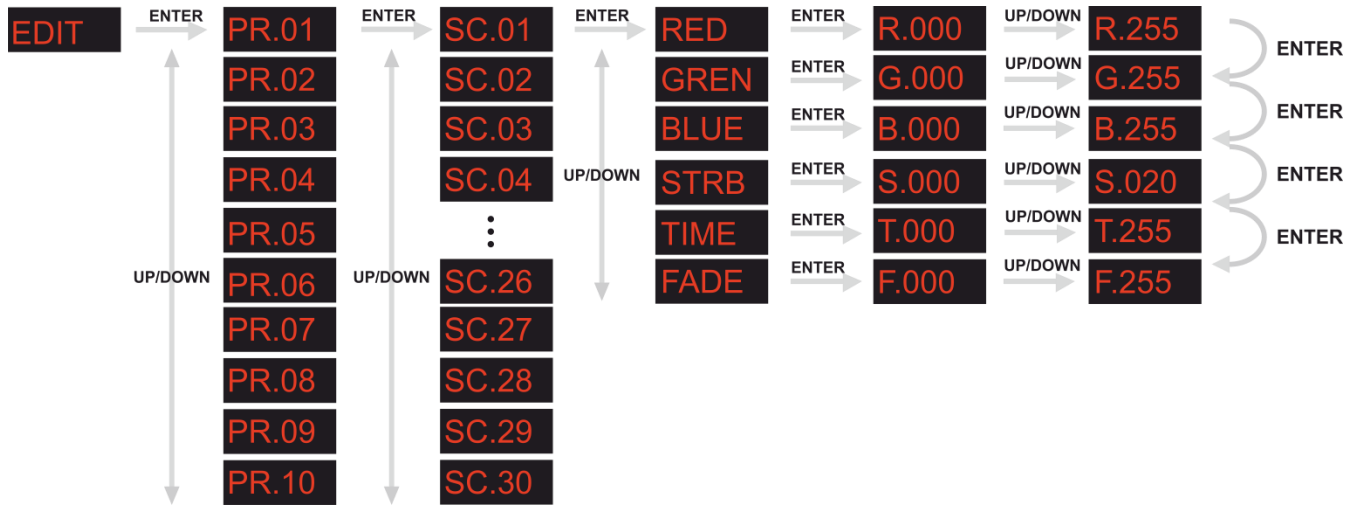
- 01) Press the **UP** and **DOWN** buttons to select the **LIFE** menu. Press the **ENTER** button.
- 02) Press the **UP** and **DOWN** buttons to select either **LONG** or **NORM** mode. Select **LONG** for an extended battery life of 12 hours or **NORM** for 10 hours of maximum power operation.



## DMX error setting

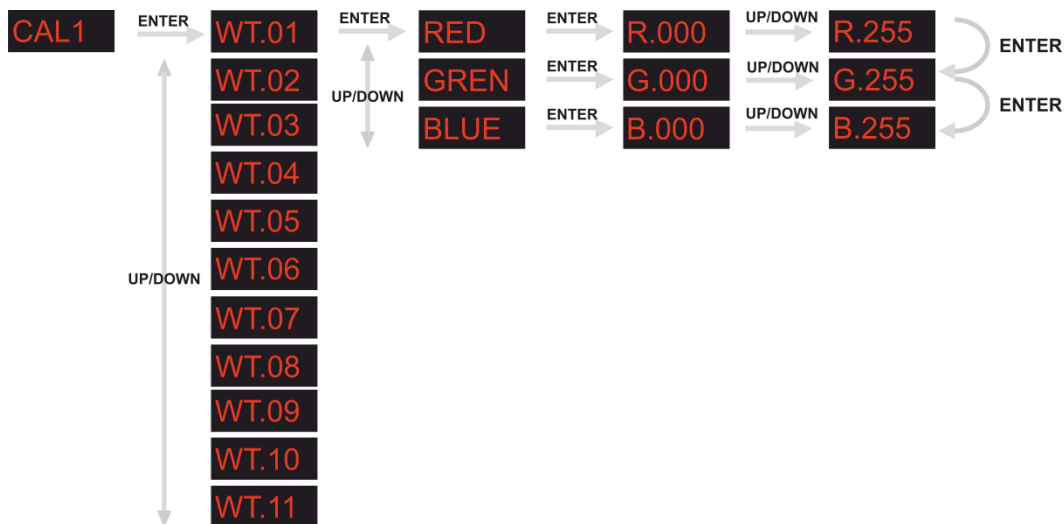
- 01) Press the **UP** and **DOWN** buttons to select the **DERR** menu. Press the **ENTER** button.
- 02) Press the **UP** and **DOWN** buttons to select **SAVE** or **BLAK**. Select **SAVE** if you want to save the last DMX data in case of a DMX error. Select **BLAK** if you want to blackout the fixture in case of a DMX error.

## Edit Custom



- 01) Select the **EDIT** menu and press the **ENTER** button.
- 02) Press the **UP and DOWN** buttons to select a custom program for editing. Each custom program has 30 steps, which can be edited. Each step allows the creation of a scene using **RED, GREEN, BLUE, STROBE, TIME & FADE**.
- 03) Press the **ENTER** button to edit a custom program.
- 04) Press the **ENTER/ UP and DOWN** buttons to edit each step.

## White Settings



- 01) Select the **CAL1** menu and press the **ENTER** button.
- 02) Enter the password by pressing **UP-> DOWN -> UP-> DOWN -> ENTER**.
- 03) Press the **UP and DOWN** buttons to select the **CAL1** menu and press the **ENTER** button.
- 04) Press the **UP and DOWN** buttons to select a white color from **WT.01 – WT.11** (11 preset color temperatures).
- 05) Press the **UP and DOWN** buttons to select **RED, GREN** or **BLUE** and press the **ENTER** button.
- 06) Press the **UP and DOWN** buttons to edit the selected parameter.
- 07) Repeat step 3-5 until you have created the optimum white color.
- 08) The new white setting is automatically stored while leaving the menu.

## Making a custom white color



- 01) Select the **CAL2** menu and press the **ENTER** button.
- 02) Enter the password by pressing **UP-> DOWN -> UP-> DOWN -> ENTER**.
- 03) Press the **UP and DOWN** buttons to select the **CAL2** menu and press the **ENTER** button.
- 04) Press the **UP and DOWN** buttons to select **RED**, **GREN** or **BLUE** and press the **ENTER** button.
- 05) Press the **UP and DOWN** buttons to edit the selected parameter.
- 06) Repeat step 3-5 until you have created the optimum white color.
- 07) The new white setting is automatically stored while leaving the menu.

Once you've edited one color, you are able to switch between R, G and B by pressing the ENTER button.

## WDMX Settings



### Activating the wireless DMX

- 01) Select the **WDMX** menu and press the **ENTER** button.
- 02) Press the **UP and DOWN** buttons to select the **ACTI** submenu and press the **ENTER** button.
- 03) Press the **UP and DOWN** buttons to select **ON** in order to activate wireless DMX. Select **OFF** in order to deactivate wireless DMX.

### Reset the WDMX pairing

- 01) Press the **UP and DOWN** buttons to select the **REST** submenu and press the **ENTER** button.
- 02) Press the **UP and DOWN** buttons to select **YES** in order to reset the DMX pairing. Press **ENTER** to confirm. Select **NO** and press the **ENTER** button to exit the reset mode.

## Keylock settings



### Setting up the keylock

- 01) Select **KEY** and press the **ENTER** button.
- 02) Press the **UP and DOWN** buttons to switch the Keylock on or off. Press the **ENTER** button. If no button is pressed for 1 minute, the system shuts down and can only be accessed by entering the password.

### Releasing the Keylock

- 01) Enter the password by pressing **UP-> DOWN -> UP-> DOWN**. Now switch the power off.
- 02) Start up the system by switching power on and pushing and holding the **power on/off** button for 3 seconds.
- 03) Enter the **KEY** menu as described in step 1-2 and switch off the Keylock as described in step 2 from **Setting up the keylock**.

## DMX Channels

### DMX Control TOUR

#### Channel 1 – Dimmer

0-255 Gradual adjustment, from dark to brightest 0-100%

#### Channel 2 – Red module 1 (CH1 must be set between 001-255 )

0-255 Gradual adjustment Red, from 0-100%

#### Channel 2 – Step time (CH10 must be set between 141-255 )

0-255 Gradual adjustment Step time, from 0-255s

#### Channel 3 – Green module 1 (CH1 must be set between 001-255 )

0-255 Gradual adjustment Green, from 0-100%

#### Channel 3 – Fade time (CH10 must be set between 141-255 )

0-255 Gradual adjustment Fade time, from 0-255s

#### Channel 4 – Blue module 1 (CH1 must be set between 001-255 )

0-255 Gradual adjustment Blue, from 0-100%

#### Channel 5 – Red module 2 (CH1 must be set between 001-255 )

0-255 Gradual adjustment Red, from 0-100%

#### Channel 6 – Green module 2 (CH1 must be set between 001-255 )

0-255 Gradual adjustment Green, from 0-100%

#### Channel 7 – Blue module 2 (CH1 must be set between 001-255 )

0-255 Gradual adjustment Blue, from 0-100%

#### Channel 8 – Macro colors (CH1 must be set between 001-255 )

0 – 010	No Function
011 – 030	Red 100% / Green Up / Blue 0%
031 – 050	Red Down / Green 100% / Blue 0%
051 – 070	Red 0% / Green 100% / Blue Up
071 – 090	Red 0% / Green Down / Blue 100%
091 – 110	Red Up / Green 0% / Blue 100%
111 – 130	Red 100% / Green 0% / Blue Down
131 – 150	Red 100% / Green Up / Blue Up
151 – 170	Red Down / Green Down / Blue 100%
171 – 200	Red 100% / Green 100% / Blue 100%
201 – 205	White 1: 3200K
206 – 210	White 2: 3400K
211 – 215	White 3: 4200K
216 – 220	White 4: 4900K
221 – 225	White 5: 5600K
226 – 230	White 6: 5900K
231 – 235	White 7: 6500K
236 – 240	White 8: 7200K
241 – 245	White 9: 8000K
246 – 250	White 10: 8500K
251 – 255	White 11: 10000K

**Channel 9 – Strobe****(CH1 and CH2, CH3, CH4, CH5, CH6 or CH7 must be set between 001-255 and CH8 between 11-255 )**

0 – 009	No Function
010 – 255	1-20Hz

**Channel 10 – Auto & Custom Programs (CH1 must be set between 001-255 )**

0 – 040	No Function
041 – 050	Auto 1
051 – 060	Auto 2
061 – 070	Auto 3
071 – 080	Auto 4
081 – 090	Auto 5
091 – 100	Auto 6
101 – 110	Auto 7
111 – 120	Auto 8
121 – 130	Auto 9
131 – 140	Auto 10
141 – 150	Custom 1
151 – 160	Custom 2
161 – 170	Custom 3
171 – 180	Custom 4
181 – 190	Custom 5
191 – 200	Custom 6
201 – 210	Custom 7
211 – 220	Custom 8
221 – 230	Custom 9
231 – 255	Custom 10

**Channel 11 – Auto program speed (CH10 must be set between 41-140 )**

0-255	Gradual adjustment Speed, from 0-100%
-------	---------------------------------------

**Channel 12 – Dimmer speed (CH1 must be set between 001-255 )**

0 – 009	Preset Dimmer Speed from Display Menu
010 – 029	Linear Dimmer
030 – 069	Non Linear Dimmer 1 (fastest)
070 – 129	Non Linear Dimmer 2
130 – 189	Non Linear Dimmer 3
190 – 255	Non Linear Dimmer 4 (slowest)

### DMX Control ARC1

#### Channel 1 – Red

0-255 Gradual adjustment Red, from 0-100%

#### Channel 2 – Green

0-255 Gradual adjustment Green, from 0-100%

#### Channel 3 – Blue

0-255 Gradual adjustment Blue, from 0-100%

### DMX Control ARC1+D

#### Channel 1 – Dimmer

0-255 Gradual adjustment, from dark to brightest 0-100%

#### Channel 2 – Red (CH1 must be set between 001-255 )

0-255 Gradual adjustment Red, from 0-100%

#### Channel 3 – Green (CH1 must be set between 001-255 )

0-255 Gradual adjustment Green, from 0-100%

#### Channel 4 – Blue (CH1 must be set between 001-255 )

0-255 Gradual adjustment Blue, from 0-100%

### DMX Control ARC1+S

#### Channel 1 – Dimmer

0-255 Gradual adjustment, from dark to brightest 0-100%

#### Channel 2 – Red (CH1 must be set between 001-255 )

0-255 Gradual adjustment Red, from 0-100%

#### Channel 3 – Green (CH1 must be set between 001-255 )

0-255 Gradual adjustment Green, from 0-100%

#### Channel 4 – Blue (CH1 must be set between 001-255 )

0-255 Gradual adjustment Blue, from 0-100%

#### Channel 5 – Strobe (CH1 and CH2, CH3 or CH4 must be set between 001-255 )

0 – 009 No Function

010 – 255 1-20Hz

**DMX Control HSV**

**Channel 1 – Hue (color variations)**

0-255      Gradual adjustment hue, from 0-100%

**Channel 2 – Red color saturation**

0-255      Saturation adjustment, from 0-100%

**Channel 3 – Value (dimmer)**

0-255      Gradual adjustment dimmer, from dark to brightest 0-100%

**DMX Control BLOCK**

**Channel 1 – Red module 1**

0-255      Gradual adjustment Red, from 0-100%

**Channel 2 – Green module 1**

0-255      Gradual adjustment Green, from 0-100%

**Channel 3 – Blue module 1**

0-255      Gradual adjustment Blue, from 0-100%

**Channel 4 – Red module 2**

0-255      Gradual adjustment Red, from 0-100%

**Channel 5 – Green module 2**

0-255      Gradual adjustment Green, from 0-100%

**Channel 6 – Blue module 2**

0-255      Gradual adjustment Blue, from 0-100%

## Maintenance

---

The operator has to make sure that safety-related and machine-technical installations are to be inspected by an expert after every year in the course of an acceptance test.

The operator has to make sure that safety-related and machine-technical installations are to be inspected by a skilled person once a year.

The following points have to be considered during the inspection:

- 01) All screws used for installing the device or parts of the device have to be tightly connected and must not be corroded.
- 02) There may not be any deformations on housings, fixations and installation spots.
- 03) Mechanically moving parts like axles, eyes and others may not show any traces of wearing.
- 04) The electric power supply cables must not show any damages or material fatigue.

The Eventspot 1900 MKII requires almost no maintenance. However, you should keep the unit clean. Otherwise, the fixture's light-output will be significantly reduced. Switch off the device and then wipe the cover with a damp cloth. Wipe the front glass panel clean with glass cleaner and a soft cloth. Do not use alcohol or solvents. The front glass panel will require weekly cleaning, as smoke-fluid tends to build up residues, reducing the light-output very quickly. Do not immerse in liquid.

Keep connections clean. Disconnect electric power, and then wipe the DMX connections with a damp cloth. Make sure connections are thoroughly dry before linking equipment or supplying electric power.

## Troubleshooting

---

### No Light

This troubleshooting guide is meant to help solve simple problems.

If a problem occurs, follow the steps below in sequence until a solution is found. Once the unit operates properly, do not carry out the following steps.

If the light effect does not operate properly, refer servicing to a technician.

Response: Suspect two potential problem areas: the battery and the LEDs.

- 01) Battery. Check if the battery is fully charged.
- 02) The LEDs. Return the Eventspot 1900 MKII to your Showtec dealer.
- 03) If all of the above appears to be in order, switch the unit on again.
- 04) If you are unable to determine the cause of the problem, do not open the Eventspot 1900 MKII, as this may damage the unit and the warranty will become void.
- 05) Return the device to your Showtec dealer.

### No Response to DMX

Response: Suspect the DMX cable or connectors, a controller malfunction, a light effect DMX card malfunction.

- 01) Check the DMX setting. Make sure that DMX addresses are correct.
- 02) Check the DMX cable: Unplug the unit; change the DMX cable; then reconnect to electrical power. Try your DMX control again.
- 03) Determine whether the controller or light effect is to blame. Does the controller operate properly with other DMX products? If not, take the controller in for repair. If it does, take the DMX cable and the light effect to a qualified technician.

Problem	Probable cause(s)	Remedy
One or more fixtures do not function at all	No power to the fixture.	<ul style="list-style-type: none"> <li>Check that power is switched on and the battery is charged (red LED in <b>power on/off</b> button should light continuously).</li> </ul>
Fixtures reset correctly, but all respond erratically or not at all to the controller.	The controller is not connected.	<ul style="list-style-type: none"> <li>Connect controller.</li> </ul>
	3-pin XLR Out of the controller does not match XLR Out of the first fixture on the link (i.e. signal is reversed).	<ul style="list-style-type: none"> <li>Install a phase reversing cable between the controller and the first fixture on the link.</li> </ul>
Fixtures reset correctly, but some respond erratically or not at all to the controller.	Poor data quality	<ul style="list-style-type: none"> <li>Check data quality. If much lower than 100 percent, the problem may be a bad data link connection, poor quality or broken cables, missing termination plug, or a defective fixture disturbing the link.</li> </ul>
	Bad data link connection	<ul style="list-style-type: none"> <li>Inspect connections and cables. Correct poor connections. Repair or replace damaged cables.</li> </ul>
	Data link not terminated with 120 Ohm termination plug.	<ul style="list-style-type: none"> <li>Insert termination plug in output jack of the last fixture on the link.</li> </ul>
	Incorrect addressing of the fixtures.	<ul style="list-style-type: none"> <li>Check address setting.</li> </ul>
	One of the fixtures is defective and disturbs data transmission on the link.	<ul style="list-style-type: none"> <li>Bypass one fixture at a time until normal operation is regained: unplug both connectors and connect them directly together.</li> <li>Have the defective fixture serviced by a qualified technician.</li> </ul>
	3-pin XLR Out on the fixtures does not match (pins 2 and 3 reversed).	<ul style="list-style-type: none"> <li>Install a phase-reversing cable between the fixtures or swap pin 2 and 3 in the fixture, that behaves erratically.</li> </ul>
No light or LEDs cuts out intermittently	Fixture is too hot.	<ul style="list-style-type: none"> <li>Allow fixture to cool.</li> <li>Make sure air vents at control panel and front lens are not blocked.</li> <li>Turn up the air conditioning .</li> </ul>
	LEDs damaged	<ul style="list-style-type: none"> <li>Disconnect fixture and return to your dealer.</li> </ul>
	The power supply settings do not match local AC voltage and frequency.	<ul style="list-style-type: none"> <li>Disconnect fixture. Check settings and correct if necessary.</li> </ul>



## Product Specifications

Model:	Showtec Eventspot 1900 MKII
Input Voltage:	100-240V AC, 60/50 Hz
Power consumption:	45W (full output)
Battery	Sealed battery 24Ah
Operating time at full RGB	12 hours
Operation temperature	-20° to +50°
Charging time	12 hours
Spare battery:	SPRS0049
Protection rate:	IP44 (temporary event)
Dimensions:	199x 199 x 361 mm (LxWxH)
Weight:	14,2 kg
<b>Operating and Programming:</b>	
Signal pin OUT:	Pin 1 (earth), pin 2 (-), pin 3 (+)
DMX Mode:	3, 3, 4, 5, 6 or 12 channels
Signal input:	3-pin DMX IN
Signal output:	3-pin DMX OUT
<b>Electro-mechanical effects:</b>	
LED Quantity:	12 pieces 3-in-1 RGB LEDs
Lux @2m:	2200+
Lumens:	800+
Max distance:	20m
Color mixing:	RGB
Beam angle:	16°
Adjustable projection angle:	10°
Dimmer:	0-100%
Strobe:	0-20Hz
Housing:	Stainless Steel
Lens plate:	Tempered glass
DMX-control:	DMX512 via wireless/ DMX512
On Board:	LED-Display for Auto, Static color with password protection
Control:	Built-in programs, DMX, Manual Color control, W-DMX
Connections:	3-pin XLR IN & OUT
Cooling:	Convection
Max. ambient temperature $t_a$ :	45°C
Max. housing temperature $t_B$ :	80°C
<b>Minimum distance:</b>	
Minimum distance from flammable surfaces:	0,5 m
Minimum distance to lighted object:	1 m

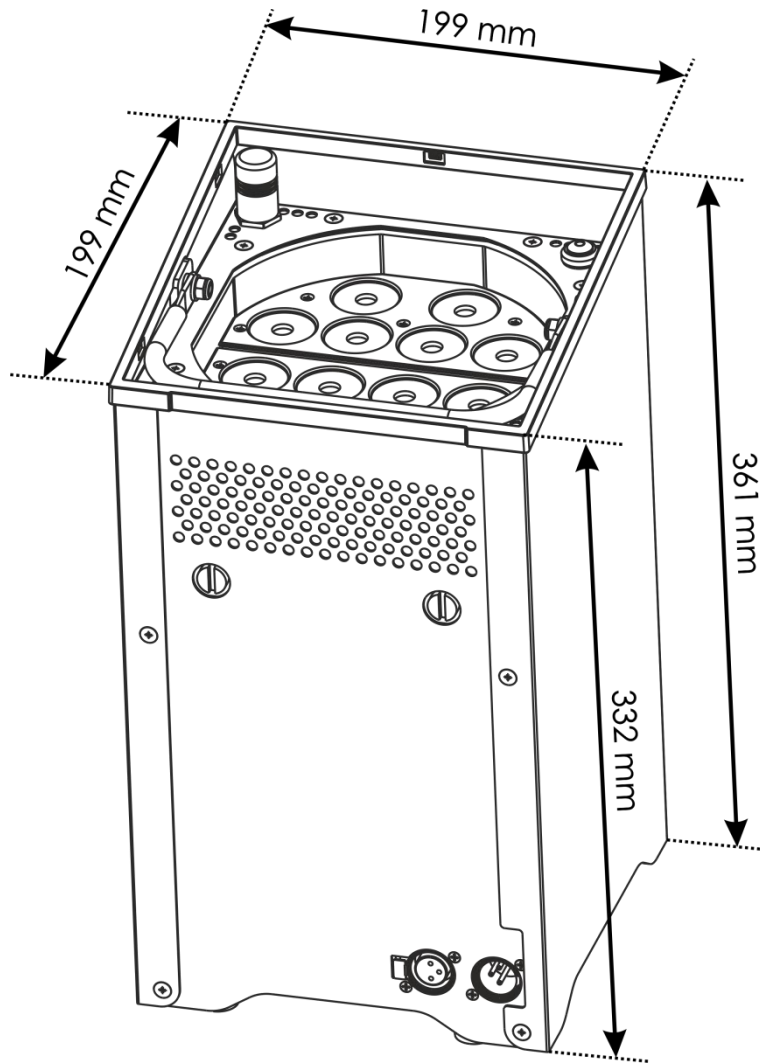
Design and product specifications are subject to change without prior notice.



Website: [www.Showtec.info](http://www.Showtec.info)

Email: [service@highlite.nl](mailto:service@highlite.nl)

## Dimensions







©2016 Showtec